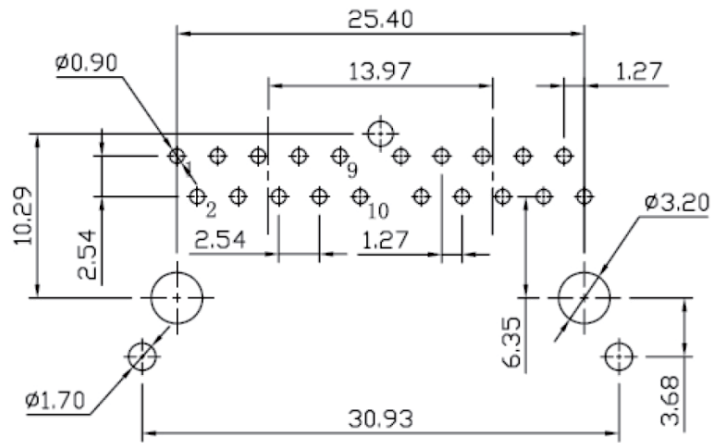
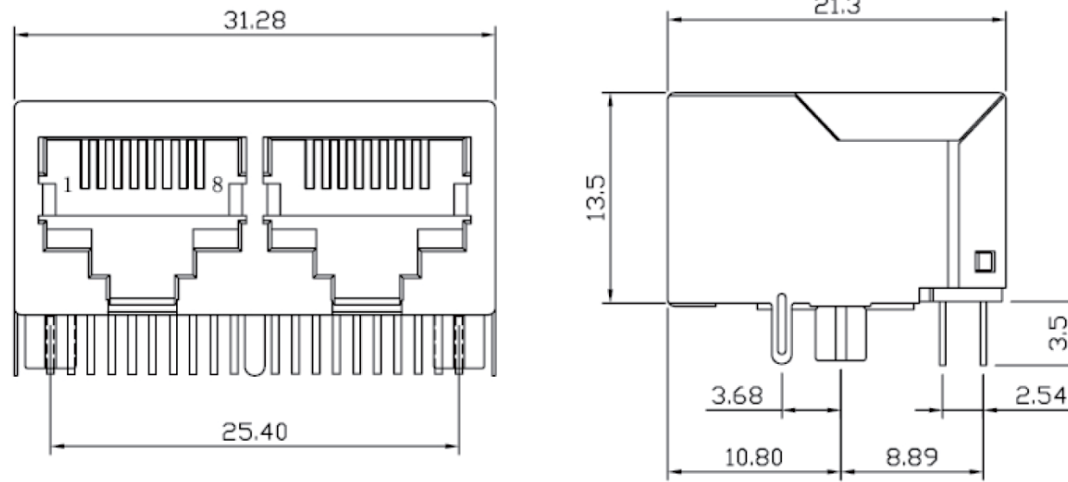


EXTERNAL DIMENSIONS :



SUGGESTED PCB LAYOUT (TOP VIEW)

RoHS Compliant

TOLERANCES ARE

MORETHANALL
PCB CONNECTORS
Cable ASSEMBLIES

DRAWING BY CY

CHECKED BY GENIUS

UNIT / mm

SCALE 1 : 1

DATE

SIZE A4

X.±
.X±
.XX±
.XXX±
ANG±

P PROJECTION

照片框

ORDER INFORMATION

MJF13P34A2-KX06A36-0808-LF

SERIES

FRONT TAB 3.68mm

8P8C

LEADFREE

06u" GOLD

NON EAR

BLACK

煜倫股份有限公司

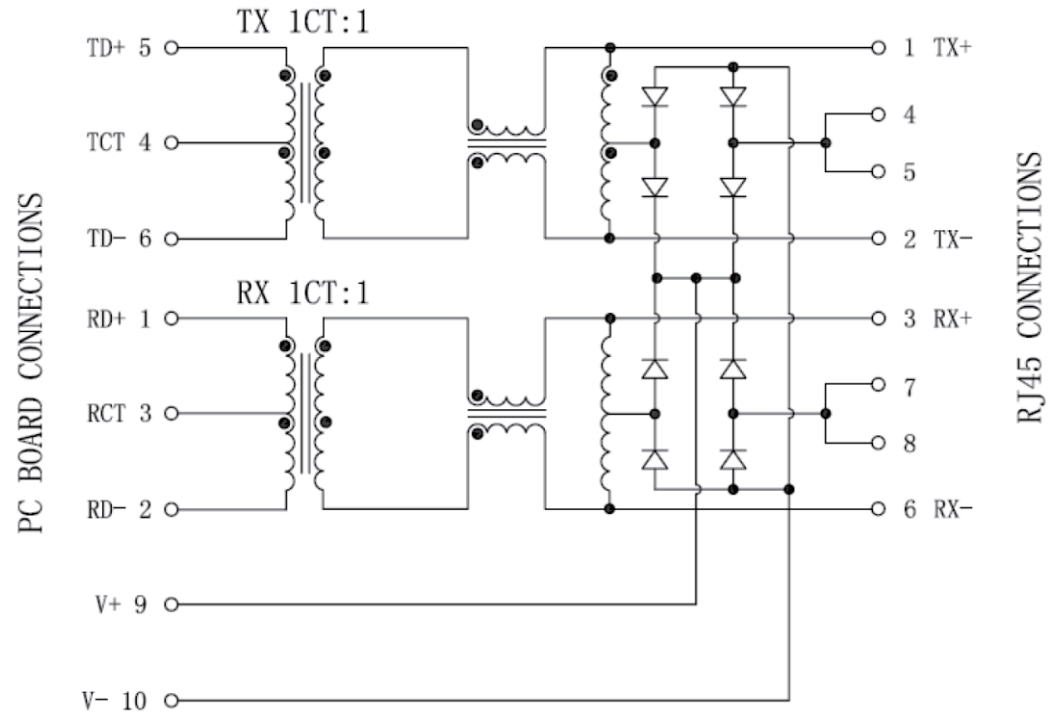
www.morethanall.com

DESCRIPTION:

SCHEMATIC DRAWING :

ELECTRICAL CHARACTERISTIC @25°C :

1. Turn Ration ($\pm 2\%$) : TX=1CT : 1
RX=1CT : 1
2. Inductance OCL : 350uH Min. @ 100KHz / 0.1V, 8mA DC Bias
3. Insertion Loss -1.0dB Max. @ 0.1-100MHz
4. Return Loss : -18dB Min. @ 1-30MHz
-16dB Min. @ 30-60MHz
-12dB Min. @ 60-80MHz
5. Cross Talk : -40dB Min. @ 1-30MHz
-35dB Min. @ 30-60MHz
-30dB Min. @ 60-80MHz
6. Common Mode Rejection -30dB Min. @ 1-50MHz
-20dB Min. @ 50-150MHz
7. Hipot Test : 1500Vrms Min.
8. Operating Temperature : 0°C ~ 70°C



RoHS Compliant

TOLERANCES ARE

MORETHANALL
PCB CONNECTORS
Cable ASSEMBLIES

煜倫股份有限公司

www.morethanall.com

DRAWING BY CY

CHECKED BY GENIUS

UNIT / mm SCALE 1 : 1

DATE

SIZE A4

X, ±
.X ±
.XX ±
.XXX ±
ANG ±

P PROJECTION

照片框

ORDER INFORMATION

MJF13P34A2-KX06A36-0808-LF
SERIES FRONT TAB 3.68mm
LEADFREE
8P8C
06u" GOLD
NON EAR
BLACK

DESCRIPTION: