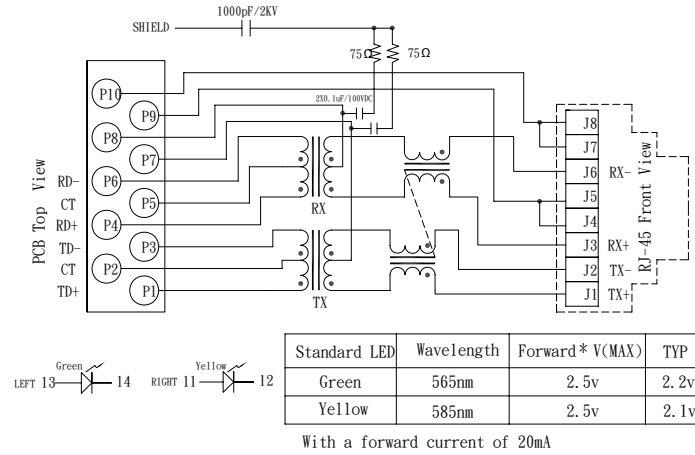


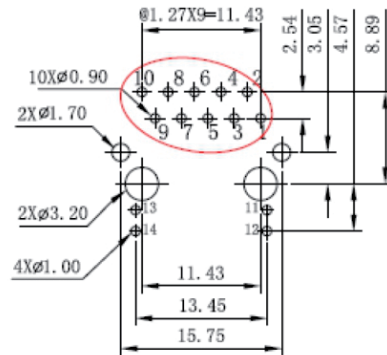
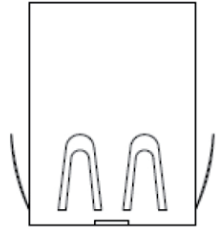
二、Schematics



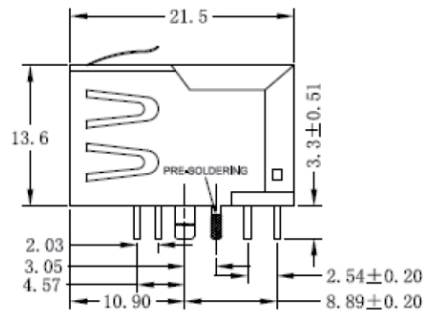
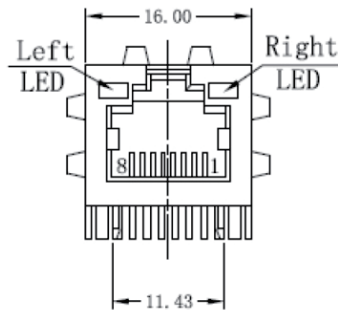
三、ELECTRICAL SPECIFICATIONS@25°C:

1. Turn Ratio($\pm 3\%$): 1CT:1CT
2. Inductance(100KHz/0.1V@8mA): 350uH MIN
3. Insertion Loss (dB MAX): -1.2dB(0.1-100MHz)
4. Return Loss (dB MIN): -16dB(1-30MHz), -14dB(40MHz), -13dB(50MHz), -12dB(60-80MHz).
5. Cross talk(dB **TYP**): -33dB(0.1-100MHz)
6. CMR (dB MIN): -42dB(32MHz), -37dB(62MHz), -33dB(100MHz)
7. HI-POT: 1000Vrms/0.5mA/2Sec
8. Operating Temperature: 0°C TO +70°C
9. POE applications current capability: 350mA
10. RoHS compliance: YES

一、Mechanicals Dimensions



PC Board Layout
Component Side Shown



Unit: mm Unless otherwise specified, all tolerances are ± 0.25

MORETHANALL
PCB CONNECTORS
Cable ASSEMBLIES
煜倫股份有限公司

www.morethanall.com

RoHS Compliant

DRAWING BY CY

CHECKED BY GENIUS

UNIT / mm SCALE 1 : 1

DATE

SIZE A4

TOLERANCES ARE

X, \pm

.X \pm

.XX \pm

.XXX \pm

ANG \pm

P PROJECTION

照片框

ORDER INFORMATION

MJF13P25UL-KF06B3GY24-0808

SERIES

BLACK

LEFT / RIGHT

GREEN / YELLOW

REAR TAB 3.05mm

06u" GOLD
FULL SPRING

8P8C

DESCRIPTION: 10/100 BASE-T POE SINGLE PORT RJ-45 JACK MAGNETICS

四、Mechanicals

Housing Material:

MATERIAL: NYLON GF (Fr50) UL94V-0 STANDARD COLOR: BLACK

Insert Material:

MATERIAL: Phos-Bronze C5210 EH---0.35mm Thickness

Insert -PBT GF UL94V-0

1.PLATING(1) NICKEL

2.PLATING(2) 100%Sn

3.PLATING(3) GOLD (3u " ~50u ")

Plate Material:

PBT GF UL 94V-0

Contact pin Material:

MATERIAL: Phos-Bronze C5191---0.35mm Thickness

1.PLATING(1) NICKEL

2.PLATING(2) 100%Sn

Shielding Material:

BRASS C2680 PLATING NICKEL

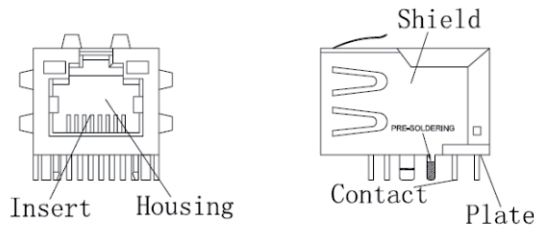
Operating Life: 750 Cycles MIN.

五、Environmental

1.Storage Temp:-40°C TO +85°C.

2.Operating Temp: 0°C TO +70°C

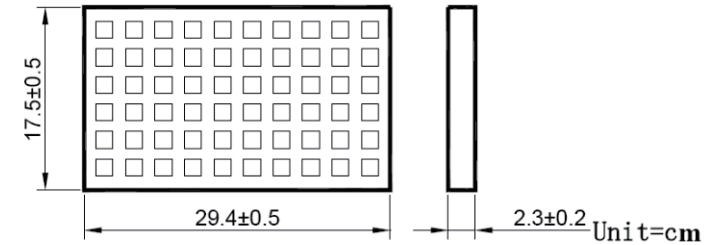
3. MATES WITH MODULAR PLUG CONFORMING TO FCC PART 68,SUBPART F.



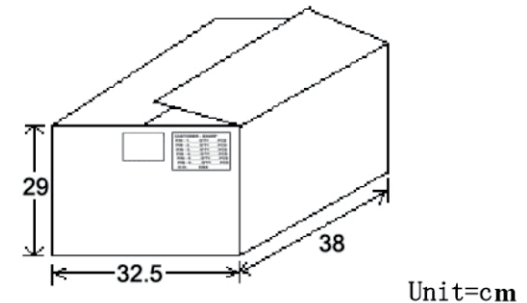
六、Packaging

1. packaging unit : 60 PCS/tray

2. packaging material : PET



3. outer carton unit: 1320 pcs/ 22 Trays/box



MORETHANALL
PCB CONNECTORS
Cable ASSEMBLIES
煜倫股份有限公司

www.morethanall.com

RoHS Compliant

DRAWING BY CY

CHECKED BY GENIUS

UNIT / mm SCALE 1 : 1

DATE

SIZE A4

TOLERANCES ARE

X. ±

.X ±

.XX ±

.XXX ±

ANG ±

P PROJECTION

照片框

ORDER INFORMATION

MJF13P25UL-KF06B3GY24-0808

SERIES

BLACK

LEFT / RIGHT

GREEN / YELLOW

REAR TAB 3.05mm

06u" GOLD

FULL SPRING

8P8C

DESCRIPTION: 10/100 BASE-T POE SINGLE PORT RJ-45 JACK MAGNETICS