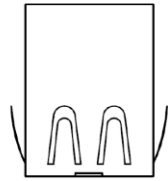
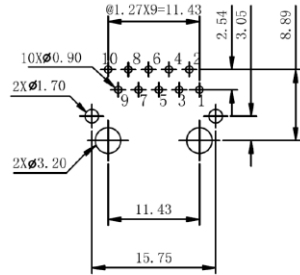


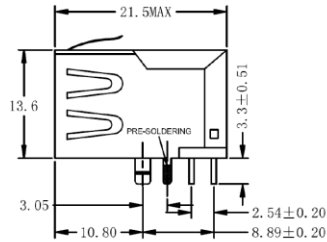
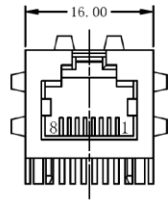
## 一、Mechanical Dimensions



YY:Year WW:Week

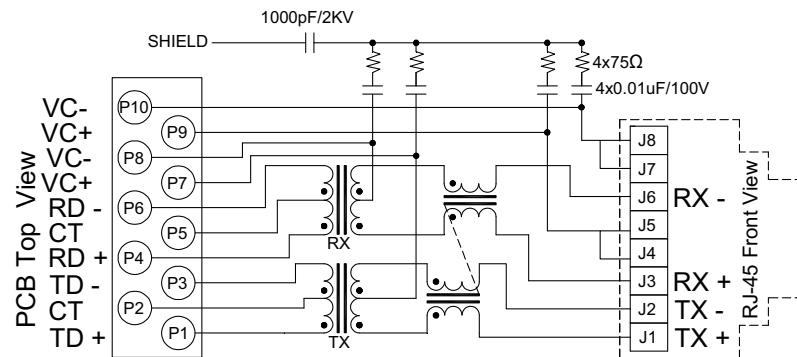


PC Board Layout  
Component Side Shown



Unit : mm Unless otherwise specified, all tolerances are  $\pm 0.25$

## 二、Schematics



## 三、ELECTRICAL SPECIFICATIONS@25 °C:

1. Turn Ratio( $\pm 3\%$ ): 1CT:1CT
2. Inductance(100KHz/0.1V@8mA)350uH MIN
3. Insertion Loss (dB MAX):-1.2dB(0.1-100MHz)
4. Return Loss (dB MIN): -16dB(1-30MHz), -14dB(40MHz), -13dB(50MHz)  
-12dB(60-80MHz)
5. Cross talk(dB TYP):-33dB(0.1-100MHz)
6. CMR (dB MIN):-42dB(32MHz), -37dB(62MHz), -33dB(100MHz)
7. HI-POT(Pri to Sec):**1000VAC/0.5mA/2Sec**
8. Operating Temperature: 0°C TO + 70°C
9. RoHS compliance: YES
10. POE applications current capability: 350mA

RoHS Compliant

TOLERANCES ARE

**MORETHANALL**  
PCB CONNECTORS  
Cable ASSEMBLIES

煜倫股份有限公司

www.morethanall.com

DRAWING BY CY

CHECKED BY GENIUS

UNIT / mm SCALE 1 : 1

DATE

SIZE A4

PJECTION

X,  $\pm$   
.X  $\pm$   
.XX  $\pm$   
.XXX  $\pm$   
ANG  $\pm$

照片框

ORDER INFORMATION

MJF13P25U-KF06B3-0808-LF

SERIES

LEADFREE  
8P8C  
REAR TAB 3.05mm  
06u" GOLD  
FULL SPRING  
BLACK

DESCRIPTION: 10/100 BASE-T POE SINGLE PORT RJ-45 JACK MAGNETICS

## 四、Mechanicals

### Housing Material:

MATERIAL:NYLON 66 UL94V-0 STANDARD COLOR:BLACK

### Insert Material:

MATERIAL:Phos-Bronze C5210 EH--0.35mm Thickness

Insert -PBT GF UL94V-0

1.PLATING(1) NICKEL

2.PLATING(2) 100%Sn

3.PLATING(3) GOLD (3u " ~50u " )

### Plate Material:

PBT GF UL 94V-0

### Contact pin Material:

MATERIAL: Phos-Bronze C5191---0.35mm Thickness

1.PLATING(1) NICKEL

2.PLATING(2) 100%Sn

### Shielding Material:

BRASS C2680 PLATING NICKEL

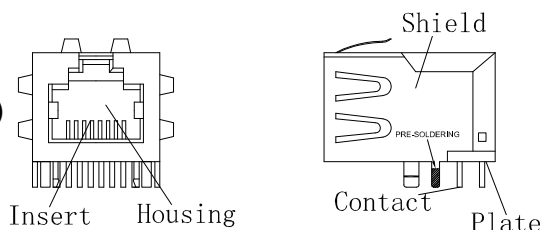
Operating Life:750 Cycles MIN.

## 五、Environmental

1.Storage Temp:-40°C TO +85°C.

2.Operating Temp: 0°C TO +70°C

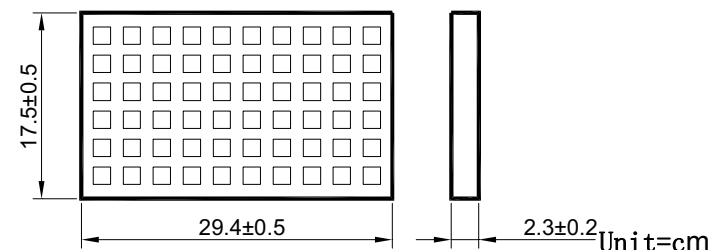
3. MATES WITH MODULAR PLUG CONFORMING TO FCC PART 68,SUBPARTF.



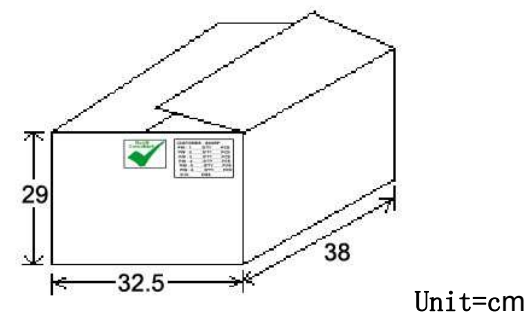
## 六、Packaging

1. packaging unit : 60 PCS/tray

2. packaging material : PET



3. outer carton unit : 1320 pcs/ 22 Trays/box



**MORETHANALL**  
PCB CONNECTORS  
Cable ASSEMBLIES  
煜倫股份有限公司

www.morethanall.com

RoHS Compliant

DRAWING BY CY

CHECKED BY GENIUS

UNIT / mm

SCALE 1:1

DATE

SIZE A4

TOLERANCES ARE

X. ±  
.X ±  
.XX ±  
.XXX ±  
ANG ±

PPOJECTION

照片框

ORDER INFORMATION

MJF13P25U-KF06B3-0808-LF

SERIES

LEADFREE  
8P8C  
REAR TAB 3.05mm  
06u" GOLD  
FULL SPRING  
BLACK

DESCRIPTION: 10/100 BASE-T POE SINGLE PORT RJ-45 JACK MAGNETICS