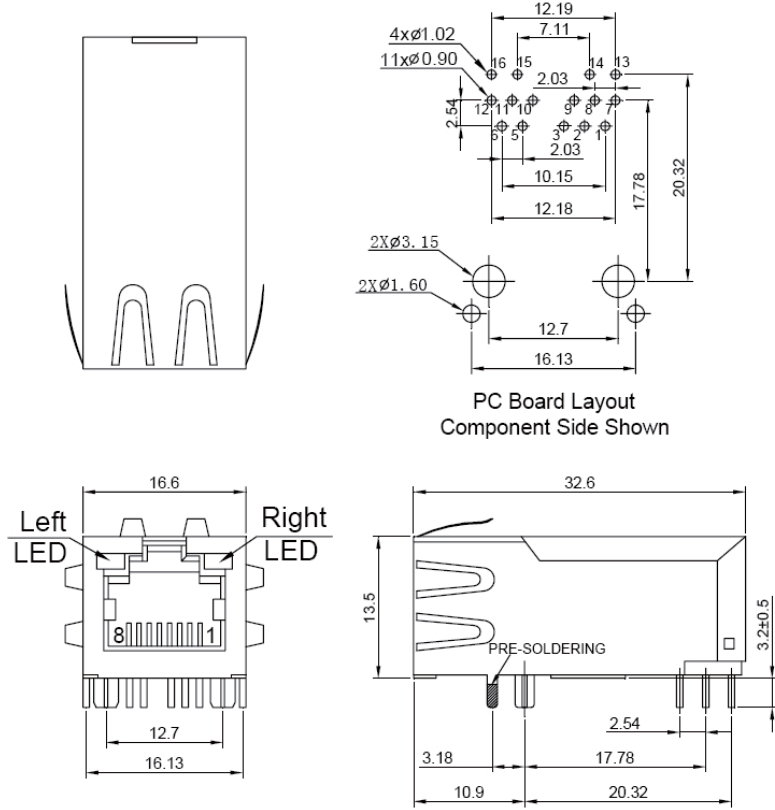
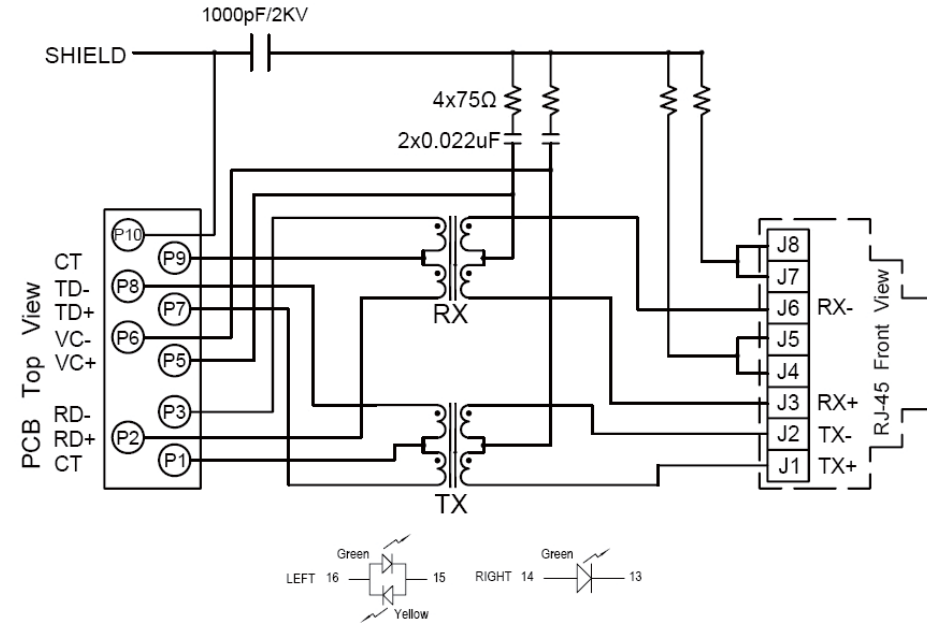


一、Mechanical Dimensions



UNIT:mm Unless otherwise specified, all tolerances are ±0.25

二、Schematics



三、ELECTRICAL SPECIFICATIONS@25°C:

1. Turn Ratio(±5%):1CT:1CT
2. Insertion Loss (dB TYP):-1.0dB(1-100MHz).
3. Return Loss (dB TYP): -20dB(1-10MHz),-16dB(30MHz),-12dB(60-80MHz)
4. Cross talk(dB TYP): -40dB(1-10MHz),-35dB(30-60MHz),-30dB(60-100MHz).
5. CMR (dB TYP): -26dB(1-50MHz),-20dB(50-130MHz)
6. HI-POT(Pri to Sec):1500Vrms/0.5mA/2Sec
7. Operating Temperature:-40°C TO +85°C
8. RoHS compliance:YES

RoHS Compliant

TOLERANCES ARE

MORETHANALL
PCB CONNECTORS
Cable ASSEMBLIES

煜倫股份有限公司

www.morethanall.com

DRAWING BY CY

CHECKED BY GENIUS

UNIT / mm SCALE 1 : 1

DATE

SIZE A4

X, ±

.X ±

.XX ±

.XXX ±

ANG ±

P PROJECTION

照片框

ORDER INFORMATION

MJF13P19UL-KF06A31GYGX-0808

SERIES

8P8C

LEFT LE

RIGHT LED

GREEN/YELLOW

GREEN/X

BLACK

FRONT TAB 3.18mm

FULL SPRING

06u" GOLD

DESCRIPTION:

四、Mechanicals

Housing Material:

MATERIAL: PA66+30%GF UL94V-0 STANDARD COLOR:BLACK

Insert Material:

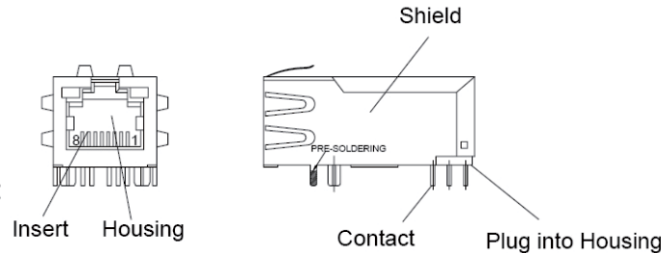
MATERIAL: Qsn6.5-0.1---0.35mm Thickness

Insert -PBT GF UL94V-0

- 1.PLATING(1) NICKEL
- 2.PLATING(2) 100%Sn
- 3.PLATING(3) GOLD (6u ")

plug into Housing Material:

PBT+30%GF UL 94V-0



Contact pin Material:

MATERIAL: Qsn6.5-0.1---0.35mm Thickness

- 1.PLATING(1) NICKEL
- 2.PLATING(2) 100%Sn

Shielding Material:

BRASS H65Y PLATING NICKEL

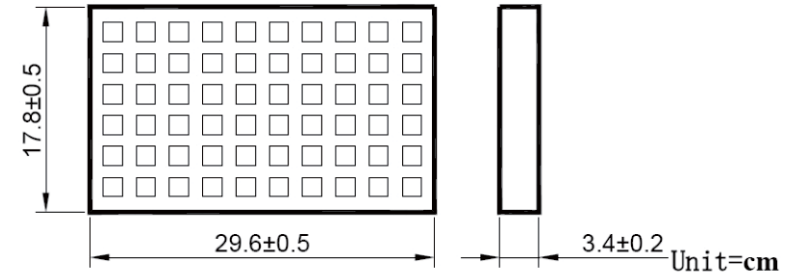
Operating Life:750 Cycles MIN.

五、Environmental

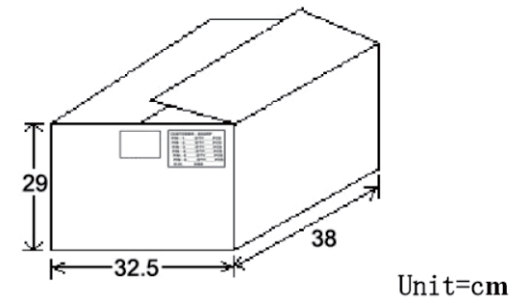
- 1.Storage Temp:-40℃TO +85℃.
- 2.Operating Temp:-40℃TO +85℃
3. MATES WITH MODULAR PLUG CONFORMING TO FCC PART 68,SUBPARTF.

六、Packaging

1. packaging unit : 60 PCS/tray
2. packaging material : PET



3. outer carton unit: 840 pcs/ 14 Trays/box



RoHS Compliant

TOLERANCES ARE

MORETHANALL
PCB CONNECTORS
Cable ASSEMBLIES

煜倫股份有限公司

www.morethanall.com

DRAWING BY CY

CHECKED BY GENIUS

UNIT / mm SCALE 1 : 1

DATE

SIZE A4

X, ±
.X ±
.XX ±
.XXX ±
ANG ±

PJECTION

照片框

ORDER INFORMATION

MJF13P19UL-KF06A31GYGX-0808

SERIES

BLACK
FULL SPRING

FRONT TAB

06u" GOLD

8P8C

LEFT LE
GREEN/YELLOW

RIGHT LED
GREEN/X

FRONT TAB 3.18mm

DESCRIPTION: