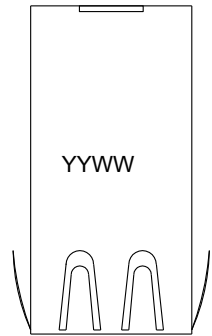
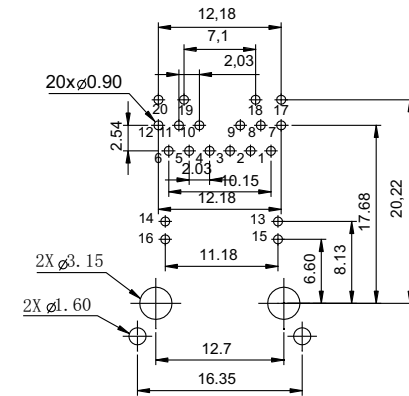
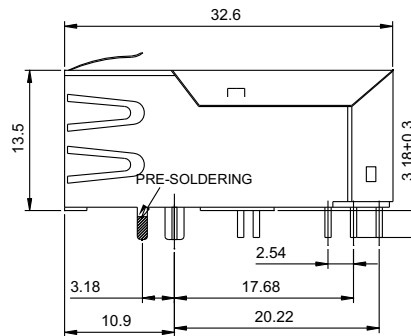
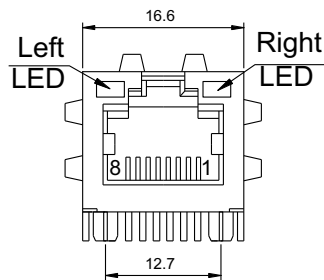


一、Mechanical Dimensions



YY:Year WW:Week



PC Board Layout
Component Side Shown

UNIT:mm Unless otherwise specified, all tolerances are ± 0.25

RoHS Compliant

TOLERANCES ARE



煜倫股份有限公司

www.morethanall.com

DRAWING BY CY

CHECKED BY GENIUS

UNIT / mm

SCALE 1 : 1

DATE

SIZE A4

X, \pm

.X, \pm

.XX, \pm

.XXX, \pm

ANG, \pm

P PROJECTION

照片框

ORDER INFORMATION

MJF13P112UL-KF06A31GYXG-0808

SERIES

8P8C

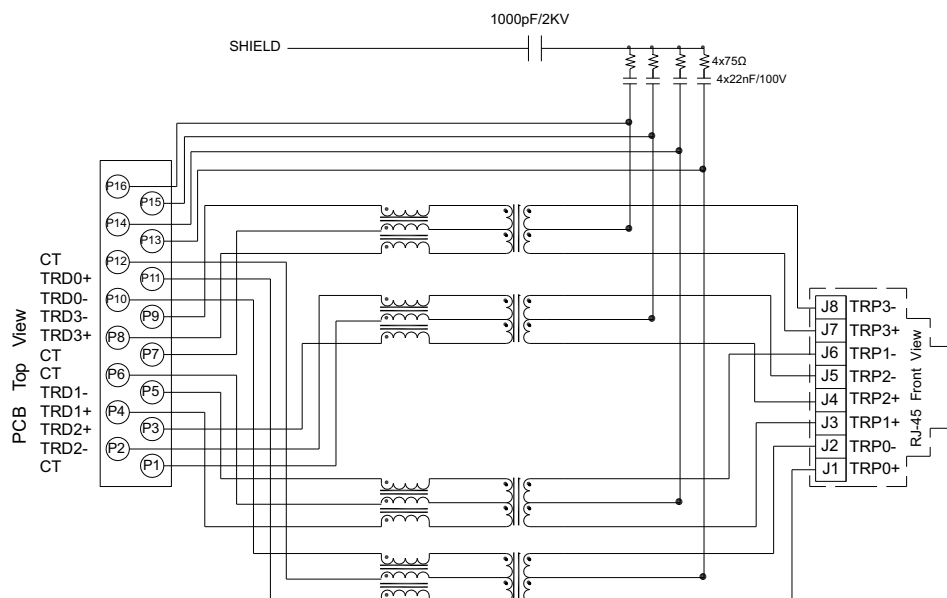
BLACK
FULL SPRING

LED LEFT / LED RIGHT
GREEN/YELLOW / X / GREEN

FRONT TAB 3.18mm
06u" GOLD

DESCRIPTION: **1000 Base-T POE+ Single Port Rj45 Integrated Connector Modul**

二、Schematics



三、ELECTRICAL SPECIFICATIONS@25°C:

1. Turn Ratio($\pm 2\%$): 1CT:1CT
2. OCL(100KHz/0.1V@8mA): 350uH MIN
3. Insertion Loss(dB TYP): -1.0dB(1-100MHz)
4. Return Loss(dB TYP): -16dB(30MHz), -12dB(60-80MHz), -10dB(100MHz)
5. Cross talk(dB TYP): -44dB(30MHz), -37dB(60MHz), -33dB(100MHz)
6. CMR(dB TYP): -27dB(1-50MHz), -20dB(50-130MHz)
7. HI-POT : 1500Vrms/0.5mA/60Sec
8. Operating Temperature: 0°C TO +70°C
9. POE applications current capability:720mA
10. RoHS compliance:YES



| Standard LED | Wavelength | Forward*V(MAX) | TYP |
|--------------|------------|----------------|------|
| Green | 565nm | 2.5v | 2.2v |
| Yellow | 585nm | 2.5v | 2.1v |

With a forward current of 20mA

RoHS Compliant

TOLERANCES ARE

MORETHANALL
PCB CONNECTORS
Cable ASSEMBLIES

煜倫股份有限公司

www.morethanall.com

DRAWING BY CY

CHECKED BY GENIUS

UNIT / mm SCALE 1 : 1

DATE

SIZE A4

X, \pm

.X \pm

.XX \pm

.XXX \pm

ANG \pm

PJECTION

照片框

ORDER INFORMATION

MJF13P112UL-KF06A31GYXG-0808

SERIES

BLACK
FULL SPRING

8P8C

LED LEFT / LED RIGHT
GREEN/YELLOW / X / GREEN

FRONT TAB 3.18mm
06u" GOLD

DESCRIPTION: 1000 Base-T POE+ Single Port Rj45 Integrated Connector Modul

四、Mechanicals

Housing Material:

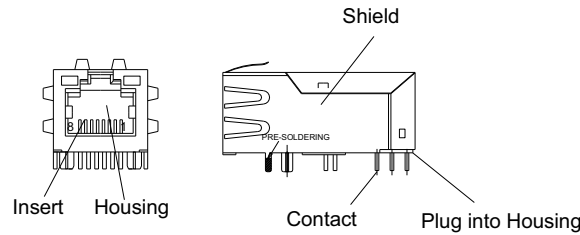
MATERIAL: NYLON 66 UL94V-0 STANDARD COLOR:BLACK

Insert Material:

MATERIAL: QSn6.5-0.1---0.35mm Thickness

Insert -PBT GF UL94V-0

- 1.PLATING(1) NICKEL
- 2.PLATING(2) 100%Sn
- 3.PLATING(3) GOLD (6u ")



plug into Housing Material:

PBT+30%GF UL 94V-0

Contact pin Material:

MATERIAL: QSn6.5-0.1---0.35mm Thickness

- 1.PLATING(1) NICKEL
- 2.PLATING(2) 100%Sn

Shielding Material:

BRASS H65Y PLATING NICKEL

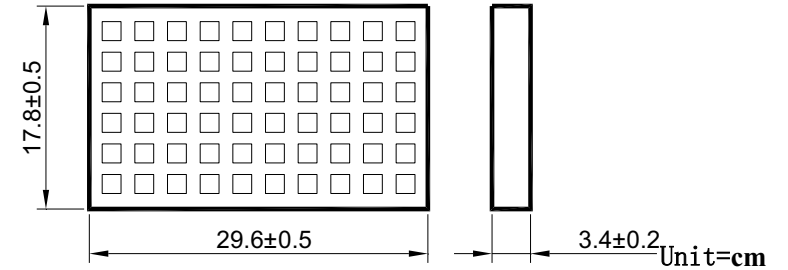
Operating Life:750 Cycles MIN.

五、Environmental

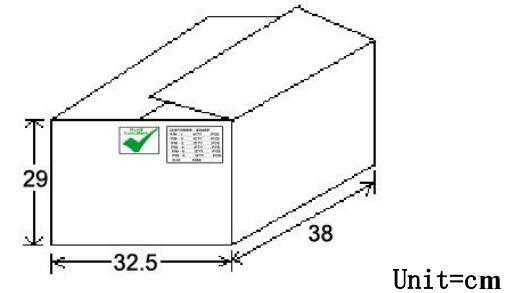
- 1.Storage Temp:-40℃ TO +85℃.
- 2.Operating Temp:0℃ TO +70℃
3. MATES WITH MODULAR PLUG CONFORMING TO FCC PART 68,SUBPARTF.

六、Packaging

1. packaging unit : 60 PCS/tray
2. packaging material : PET



3. outer carton unit: 840 pcs/ 14 Trays/box
4. Weight: 11.00kg per carton



RoHS Compliant

TOLERANCES ARE

MORETHANALL
PCB CONNECTORS
Cable ASSEMBLIES

煜倫股份有限公司

www.morethanall.com

DRAWING BY CY

CHECKED BY GENIUS

UNIT / mm SCALE 1 : 1

DATE

SIZE A4

PJECTION

X, ±
.X ±
.XX ±
.XXX ±
ANG ±

照片框

ORDER INFORMATION

MJF13P112UL-KF06A31GYXG-0808

SERIES

BLACK
FULL SPRING

06u" GOLD

8P8C

LED LEFT / LED RIGHT
GREEN/YELLOW / X / GREEN

FRONT TAB 3.18mm

DESCRIPTION: 1000 Base-T POE+ Single Port Rj45 Integrated Connector Modul