

Recommended P.C.Board
Layout
(Tolerance:±0.05)

NOTES:

1.Material:

- 1.1>.HOUSING:PBT,UL94V-0,COLOR:BLACK;
- 1.2>.SHELL: BRASS C2680 T=0.20;
- 1.3>.RJ45 TERMINAL:PHOSPHOR BRONZE T=0.3mm
PLATING: 50u" NICKEL Min. UNDER PLATED
ALL OVER 100u" TIN Min. PLATED ALL OVER
6u" GOLD PLATED ON CONTACT AREA;
- 1.4>.OTHERS TERMINAL:BRASS T=0.35mm
PLATING: 50u" NICKEL Min. UNDER PLATED
ALL OVER 100u" TIN Min. PLATED ALL OVER;

RoHS Compliant

TOLERANCES ARE

MORETHANALL
PCB CONNECTORS
Cable ASSEMBLIES

煜倫股份有限公司

www.morethanall.com

DRAWING BY CY

CHECKED BY GENIUS

UNIT / mm SCALE 1 : 1

DATE

SIZE A4

X. ± 0.30
X. ± 0.25
.XX ± 0.15
.XXX ± 0.10
ANG ±

PJECTION

照片框

ORDER INFORMATION

MJF13P112UL-KF06A31GYGX-0808

SERIES

BLACK

FULL SPRING

06u" GOLD

FRONT TAB 3.18mm

8P8C

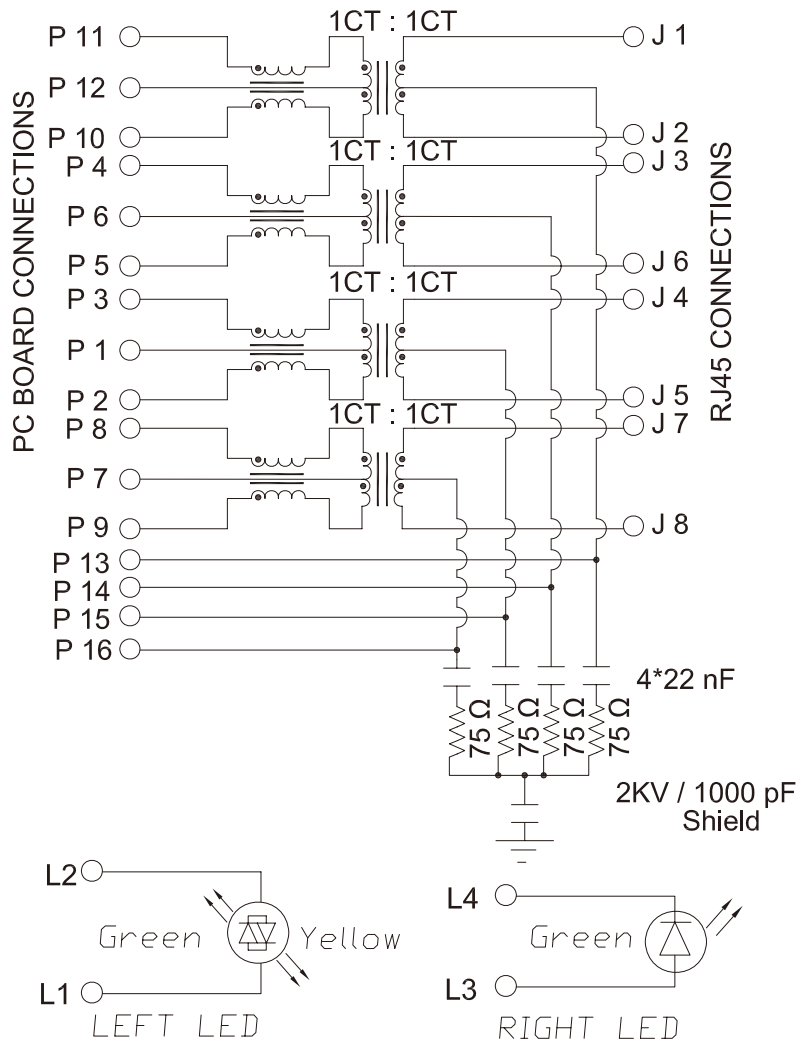
GREEN/YELLOW

LEFT LE

RIGHT LED

GREEN/X

DESCRIPTION:



1. Electrical Specification @25°C:
 - 1.1 Insertion Loss: @ 1-100 MHz-1.0dB Max.
Return Loss: @ 1-30 MHz-18dB Min. LOAD 100Ω.
 @ 30-60 MHz-16dB Min. LOAD 100Ω.
 @ 60-80 MHz-12dB Min. LOAD 100Ω.
 - 1.2 Common Mode Rejection :@1-100MHz-30dB Min.
 - 1.3 Cross Talk:@1-100MHz-30dB Min.
 - 1.4 Inductance @100KHz/0.1V 350uH Min 8mA DC bias .
 - 1.5 Hi-Pot Test:
P11-P10 TO J1-J2 1200VDC,1mA,60sec .
P4-P5 TO J3-J6 1200VDC,1mA,60sec .
P3-P2 TO J4-J5 1200VDC,1mA,60sec .
P8-P9 TO J7-J8 1200VDC,1mA,60sec .
 - 1.6 OPERATING TEMPERATURE:0°C~+70°C
 - 1.7 PEAK WAVE SOLDER TEMPERATURE RATING 260°C

Emitting Color	λ p(nm)	IF=20mA
Green	565	VF=1.8-2.4V
Yellow	585	VF=1.8-2.4V

RoHS Compliant

TOLERANCES ARE

MORETHANALL
PCB CONNECTORS
Cable ASSEMBLIES

DRAWING BY CY

X. ± 0.30

CHECKED BY GENIUS

.X ± 0.25

UNIT / mm

SCALE 1 : 1

.XX ± 0.15

DATE

.XXX ± 0.10

ANG ±

SIZE A4

P PROJECTION

照片框

ORDER INFORMATION

MJF13P112UL-KF06A31GYGX-0808

SERIES

BLACK

FULL SPRING

06u" GOLD

8P8C

LEFT LE

GREEN/YELLOW

FRONT TAB 3.18mm

RIGHT LED

GREEN/X

煜倫股份有限公司

www.morethanall.com

DESCRIPTION: