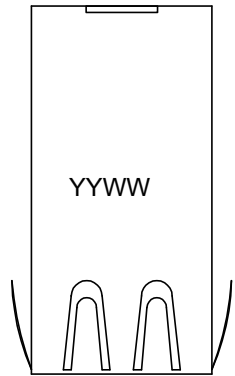
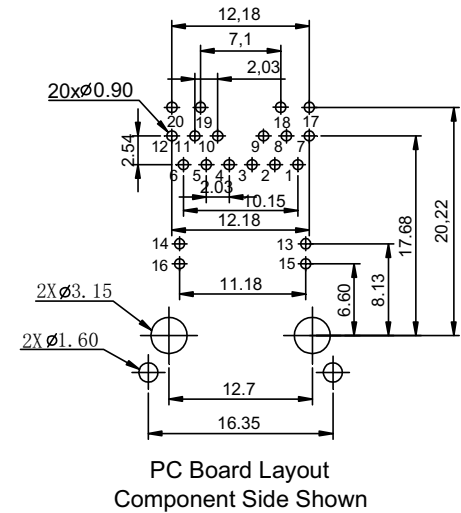
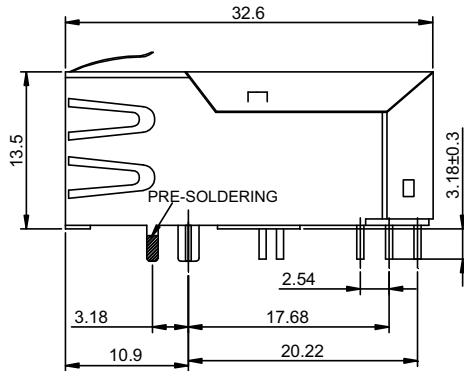
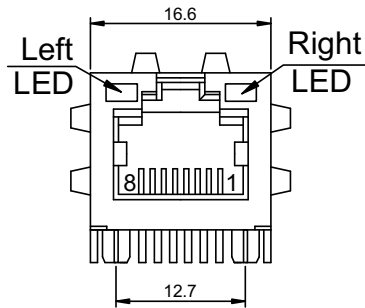


# 一、Mechanical Dimensions



YY:Year WW:Week



UNIT:mm Unless otherwise specified, all tolerances are ±0.25

RoHS Compliant

TOLERANCES ARE

**MORETHANALL**  
PCB CONNECTORS  
Cable ASSEMBLIES

DRAWING BY CY

X.±

CHECKED BY GENIUS

.X±

UNIT / mm

SCALE 1 : 1

.XX±

DATE

.XXX±

ANG ±

SIZE A4

PJECTION

照片框

ORDER INFORMATION

MJF13P112UL-KF06A31GY-0808

SERIES

8P8C

GREEN/YELLOW

FRONT TAB 3.18mm

06u" GOLD

FULL SPRING

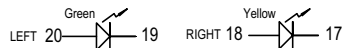
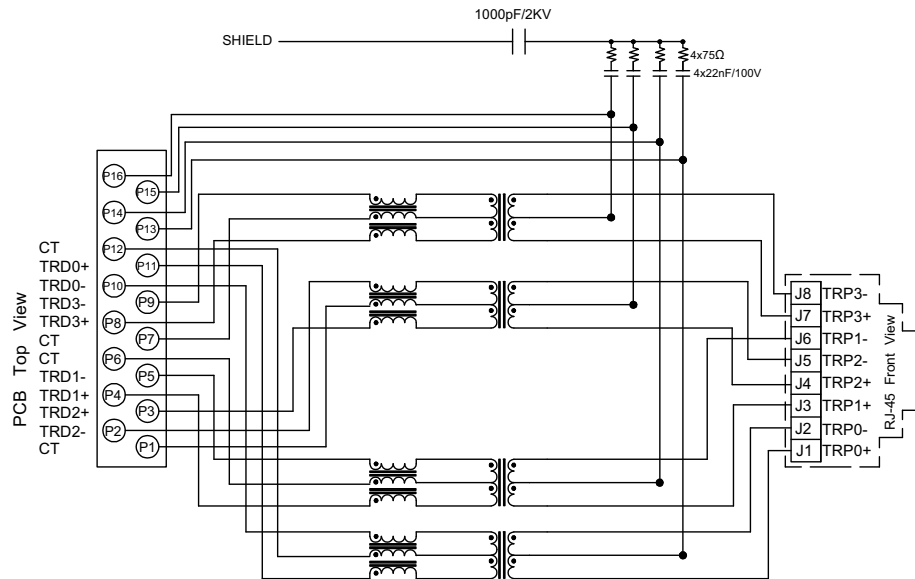
BLACK

煜倫股份有限公司

www.morethanall.com

DESCRIPTION:1000 Base-TPOE+ Single Port Rj45 Integrated Connector Modul

## 二、Schematics



Standard LED	Wavelength	Forward*V(MAX)	TYP
Green	565nm	2.5v	2.2v
Yellow	585nm	2.5v	2.1v

With a forward current of 20mA

## 三、ELECTRICAL SPECIFICATIONS@25 °C:

1. Turn Ratio( $\pm 2\%$ ): 1CT:1CT
2. OCL(100KHz/0.1V@11mA): 350uH MIN@0°C TO +70°C
3. Insertion Loss(dB TYP): -1.0dB(1-100MHz)
4. Return Loss(dB TYP): -20dB(1-10MHz), -16dB(30MHz), -12dB(60-80MHz)
5. Cross talk(dB TYP): -40dB(1-40MHz), -35dB(30-60MHz), -30dB(60-100MHz)
6. CMR(dB TYP): -30dB(1-50MHz), -20dB(50-130MHz)
7. HI-POT : 1500Vrms/2250VDC
8. Operating Temperature: -40°C TO +85°C
9. POE applications current capability:720mA
10. RoHS compliance: YES

**RoHS Compliant**

TOLERANCES ARE

**MORETHANALL**  
PCB CONNECTORS  
Cable ASSEMBLIES

煜倫股份有限公司

www.morethanall.com

DRAWING BY CY

CHECKED BY GENIUS

UNIT / mm SCALE 1 : 1

DATE

SIZE A4

X,  $\pm$

.X  $\pm$

.XX  $\pm$

.XXX  $\pm$

ANG  $\pm$

P PROJECTION

照片框

ORDER INFORMATION

MJF13P112UL-KF06A31GY-0808

SERIES

8P8C

GREEN/YELLOW

FRONT TAB 3.18mm

06u" GOLD

FULL SPRING

BLACK

DESCRIPTION:1000 Base-TPOE+ Single Port Rj45 Integrated Connector Modul

## 四、Mechanicals

### Housing Material:

MATERIAL: NYLON 66 UL94V-0 STANDARD COLOR:BLACK

### Insert Material:

MATERIAL: QSn6.5-0.1---0.35mm Thickness

Insert -PBT GF UL94V-0

- 1.PLATING(1) NICKEL
- 2.PLATING(2) 100%Sn
- 3.PLATING(3) GOLD (6u " )

### plug into Housing Material:

PBT+30%GF UL 94V-0

### Contact pin Material:

MATERIAL: QSn6.5-0.1---0.35mm Thickness

- 1.PLATING(1) NICKEL
- 2.PLATING(2) 100%Sn

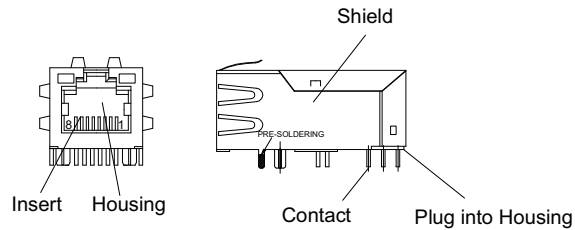
### Shielding Material:

BRASS H65Y PLATING NICKEL

Operating Life:750 Cycles MIN.

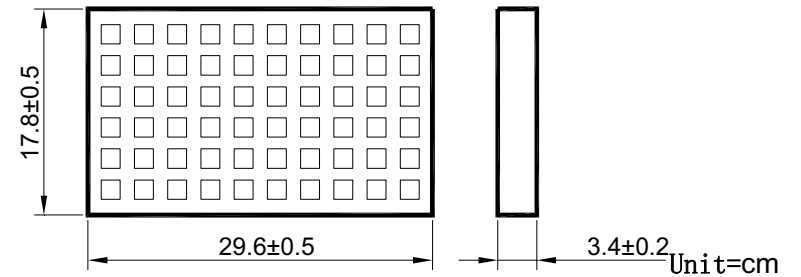
## 五、Environmental

- 1.Storage Temp:-40℃TO +85℃.
- 2.Operating Temp-40℃TO +85℃
3. MATES WITH MODULAR PLUG CONFORMING TO FCC PART 68,SUBPARTF.

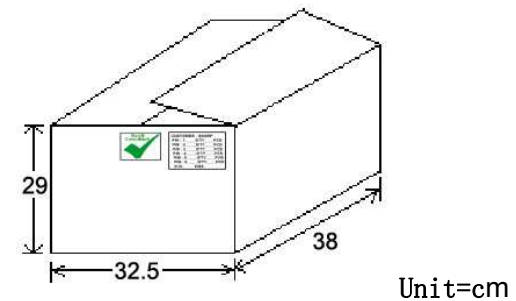


## 六、Packaging

1. packaging unit : 60 PCS/tray
2. packaging material : PET



3. outer carton unit 840 pcs/ 14 Trays/box
4. Weight: 11.0kg percarton



RoHS Compliant

TOLERANCES ARE

**MORETHANALL**  
PCB CONNECTORS  
Cable ASSEMBLIES

煜倫股份有限公司

www.morethanall.com

DRAWING BY CY

CHECKED BY GENIUS

UNIT / mm SCALE 1 : 1

DATE

SIZE A4

X. ±  
.X ±  
.XX ±  
.XXX ±  
ANG ±

PPOJECTION

照片框

ORDER INFORMATION

MJF13P112UL-KF06A31GY-0808

SERIES

8P8C  
GREEN/YELLOW  
FRONT TAB 3.18mm  
06u" GOLD  
FULL SPRING  
BLACK

DESCRIPTION:1000 Base-TPOE+ Single Port Rj45 Integrated Connector Modul