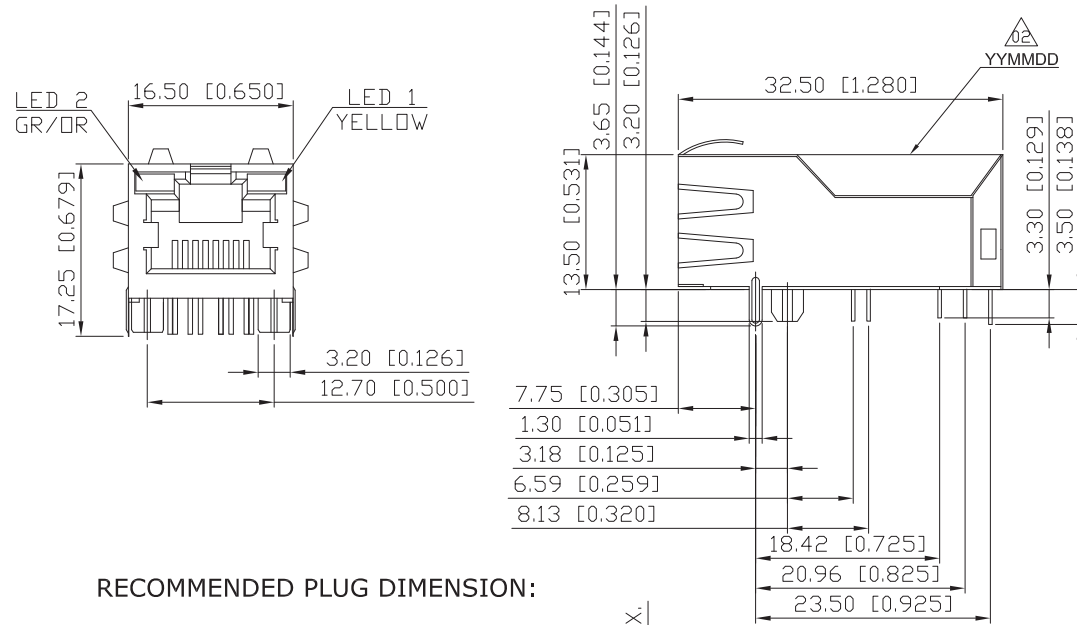
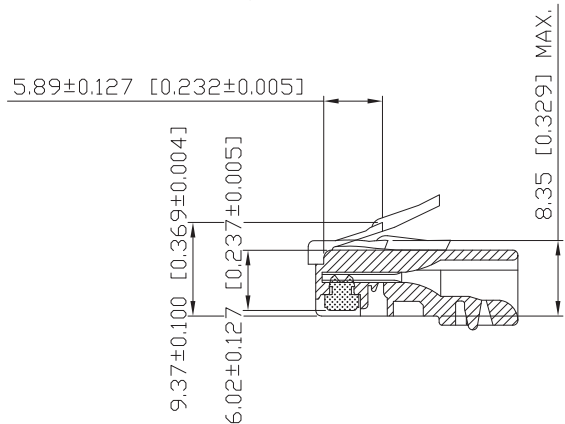


1. MECHANICAL DIMENSIONS :

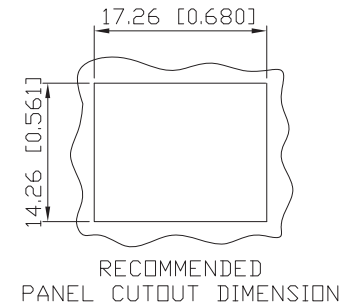


RECOMMENDED PLUG DIMENSION:



NOTES:

- MATERIAL:
HOUSING: HIGH THERMOPLASTIC, UL94V-0, COLOR-BLACK
CONTACTS: T=0.35mm PHOS-BRONZE,
6u" GOLD PLATING ON CONTACT AREA,
NICKEL UNDERPLATING OVERALL
SHIELD: COPPER ALLOY, NICKEL PLATING
- OPERATING TEMPERATURE: 0°C~+70°C
- INSERTION FORCE: 4 POUNDS MAX.
EXTRACTION FORCE: 4 POUNDS MAX.
- DURABILITY: 750 MATING CYCLED MIN.
- CAVITY CONFORMS TO FCC RULES AND REGULATIONS PART 68,
SUBPART F.
- UNSPECIFIED TOLERANCE: .XX ±0.25[0.010]
.X ±0.30[0.012]



RoHS Compliant

TOLERANCES ARE

MORETHANALL
PCB CONNECTORS
Cable ASSEMBLIES

DRAWING BY CY
CHECKED BY GENIUS
UNIT / mm SCALE 1 : 1
DATE

X. ± 0.30
.X ± 0.30
.XX ± 0.20
.XXX ± 0.10
ANG ± 1°

照片框

ORDER INFORMATION

MJF13P112UL-KF06A31GOYX-0808

SERIES

8P8C
LED2
LED1
GREEN/ORANGE YELLOW /
FRONT TAB 3.18mm
BLACK 06u" GOLD FULL SPRING

煜倫股份有限公司

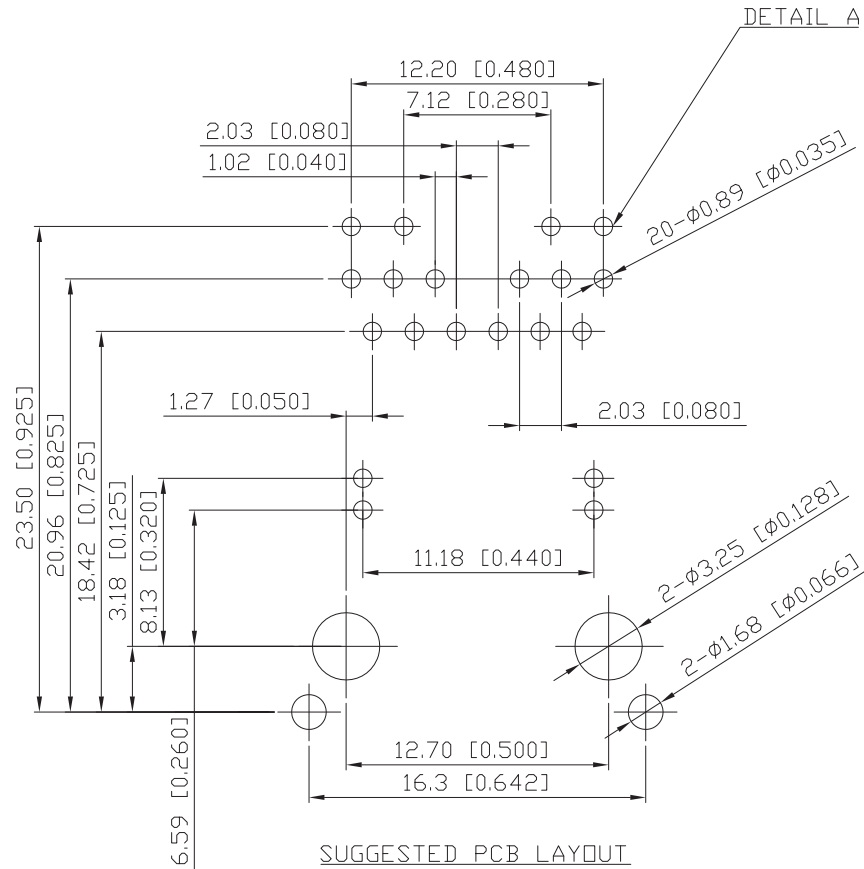
www.morethanall.com

SIZE A4

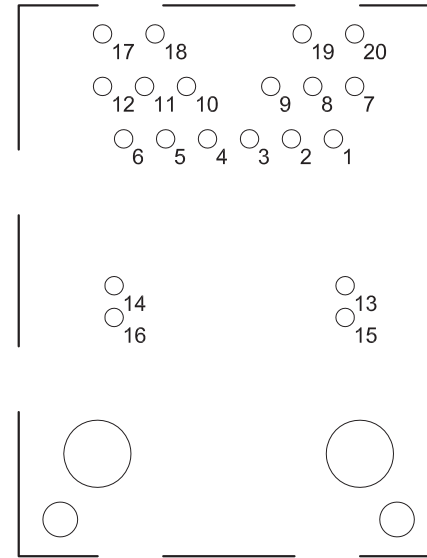
PJECTION

DESCRIPTION:RJ45 8P16C, W/1G TRANSFORMER AND PoE+, W/LED, SHIELDED

2. PCB LAYOUT :



SUGGESTED PCB LAYOUT
(TOP VIEW) SCALE 2:1
DIMENSIONAL TOLERANCE: .XX ±0.08[0.003]



DETAIL A

P#	DEFINITION
P1	CT
P2	MD<2>-
P3	MD<2>+
P4	MD<1>+
P5	MD<1>-
P6	CT
P7	CT
P8	MD<3>+
P9	MD<3>-
P10	MD<0>-
P11	MD<0>+
P12	CT
P13	VC+
P14	VC-
P15	VC+
P16	VC-
P17	LEFT GR+
P18	LEFT DR+
P19	RIGHT YE+
P20	RIGHT YE-

RoHS Compliant

TOLERANCES ARE

MORETHANALL
PCB CONNECTORS
Cable ASSEMBLIES

DRAWING BY CY

X. ±

CHECKED BY GENIUS

.X ± 0.30

UNIT / mm

SCALE 1:1

.XX ± 0.25

DATE

.XXX ±

ANG ±

SIZE A4

PJECTION

照片框

ORDER INFORMATION

MJF13P112UL-KF06A31GOYX-0808

SERIES

BLACK

06u" GOLD

FULL SPRING

FRONT TAB 3.18mm

LED1

LED2

GREEN/ORANGE

YELLOW /

8P8C

LED2

GREEN/ORANGE

FRONT TAB 3.18mm

LED1

LED2

GREEN/ORANGE

YELLOW /

LED1

LED2

GREEN/ORANGE

FRONT TAB 3.18mm

LED1

LED2

GREEN/ORANGE

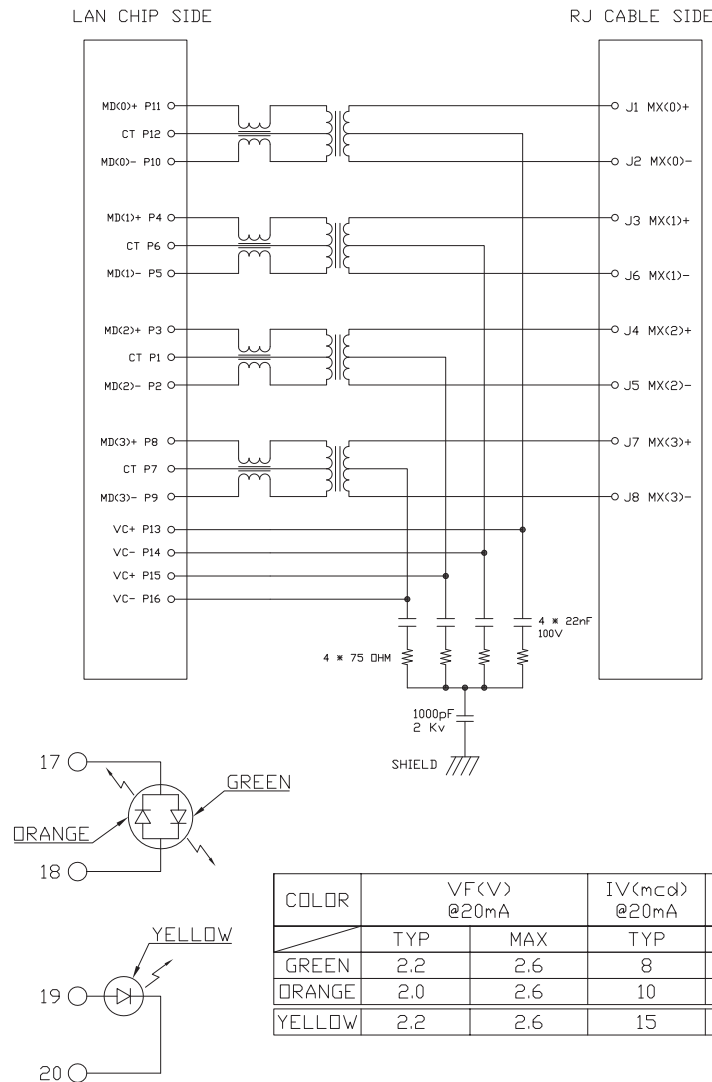
YELLOW /

煜倫股份有限公司

www.morethanall.com

DESCRIPTION:

3. SCHEMATIC :



4. ELECTRICAL CHARACTERISTICS :

TEST NOTES:(25±5°C)

- 1.TR:
INPUT TO OUTPUT=1:1±3%
- 2.LX:(100KHz,100mV,8mA, DC Bias)
350uH MINIMUM
- 3.DCR:
EVERY RJ PAIR=1.2 Ω MAXIMUM
- 4.HIPOT:
INPUT TO OUTPUT PIN: 1500 VAC/60SEC
- 5.INSERTION LOSS:
-0.8dB MAXIMUM AT 0.3MHz TO 100MHz
-1.2dB MAXIMUM AT 100MHz TO 125MHz
- 6.RETURN LOSS:
-20dB MINIMUM AT 1MHz TO 10MHz
-16dB MINIMUM AT 30MHz
-12dB MINIMUM AT 60MHz TO 100MHz
- 7.CROSS TALK:
-40dB MINIMUM AT 1MHz TO 10MHz
-35dB MINIMUM AT 30MHz TO 60MHz
-30dB MINIMUM AT 60MHz TO 100MHz
- 8.COMMON TO COMMON MODE REJECTION:
-30dB MINIMUM AT 300KHz TO 100MHz
9. WORKING CURRENT FOR PoE+, 720mA DC MAX.

COLOR	VF(V) @20mA		IV(mcd) @20mA	IF(mA)	PEAK WAVE LENGTH λP(nm) @20mA
	TYP	MAX	TYP	TYP	TYP
GREEN	2.2	2.6	8	20	570
ORANGE	2.0	2.6	10	20	606
YELLOW	2.2	2.6	15	20	588

RoHS Compliant

TOLERANCES ARE

MORETHANALL
PCB CONNECTORS
Cable ASSEMBLIES

DRAWING BY CY

CHECKED BY GENIUS

UNIT / mm SCALE 1 : 1

DATE

SIZE A4

X, ±
.X ± 0.30
.XX ± 0.25
.XXX ±
ANG ±

PJECTION

照片框

ORDER INFORMATION

MJF13P112UL-KF06A31GOYX-0808

SERIES

BLACK

06u" GOLD

FRONT TAB 3.18mm

FULL SPRING

8P8C

LED2

GREEN/ORANGE

LED1

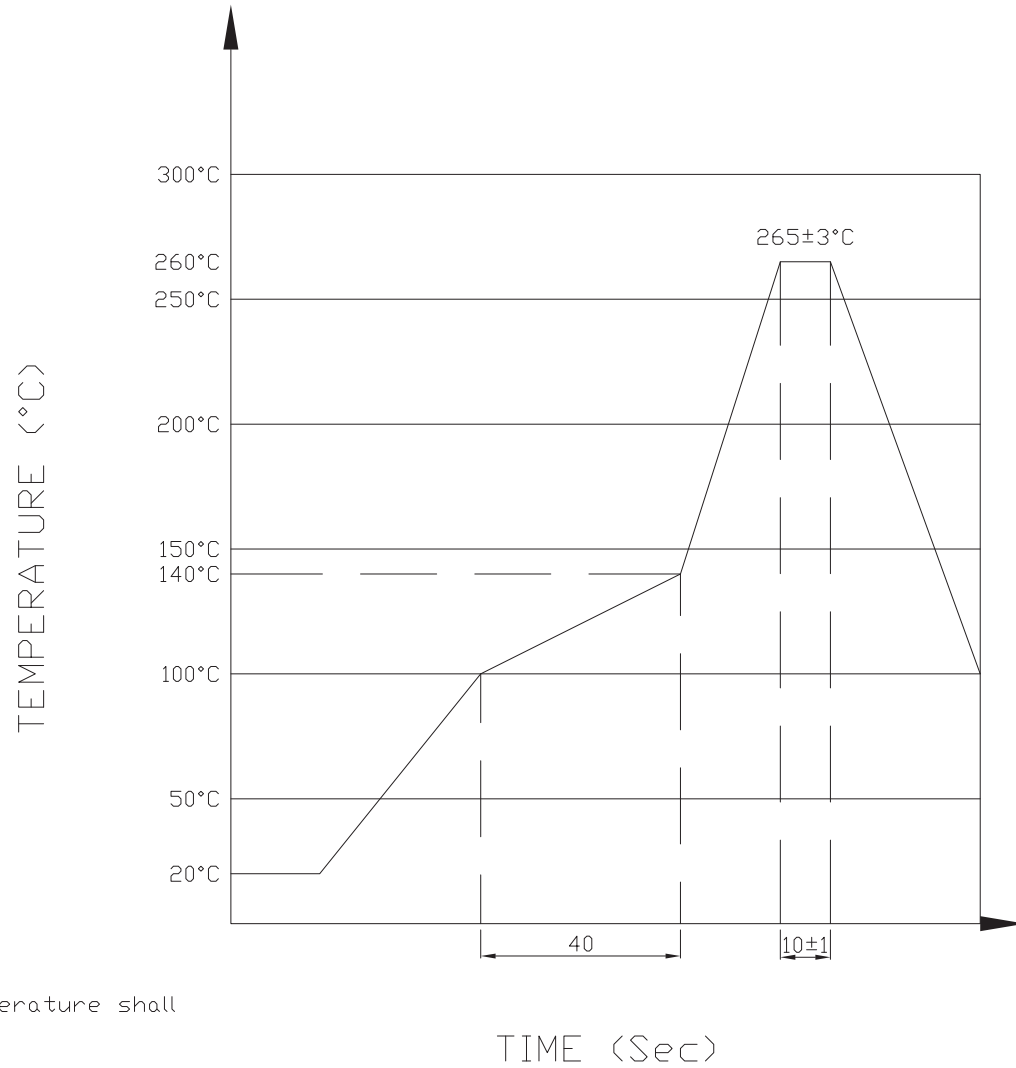
YELLOW /

煜倫股份有限公司

www.morethanall.com

DESCRIPTION:RJ45 8P16C, W/1G TRANSFORMER AND PoE+, W/LED, SHIELDED

4. PROFILE OF WAVE SOLDER : 



The measuring point for the specified temperature shall be on the soldered part of the lead

RoHS Compliant

TOLERANCES ARE

MORETHANALL
PCB CONNECTORS
Cable ASSEMBLIES

DRAWING BY CY

X ± 0.30

CHECKED BY GENIUS

.X ± 0.30

UNIT / mm

SCALE 1:1

.XX ± 0.20

DATE

.XXX ± 0.10

ANG ± 1°

照片框

ORDER INFORMATION

MJF13P112UL-KF06A31GOYX-0808

SERIES

8P8C

LED2

LED1

GREEN/ORANGE

YELLOW /

BLACK

06u" GOLD

FULL SPRING

FRONT TAB 3.18mm

煜倫股份有限公司

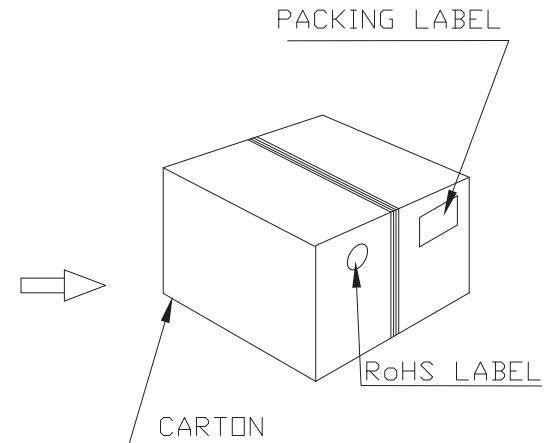
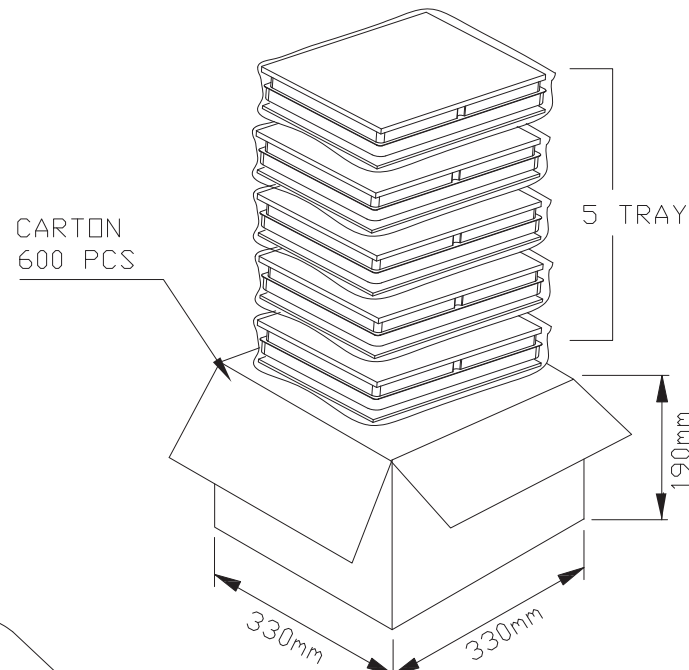
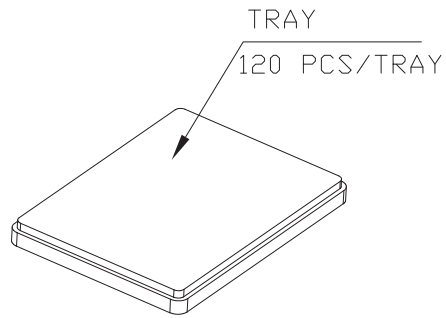
www.morethanall.com

SIZE A4

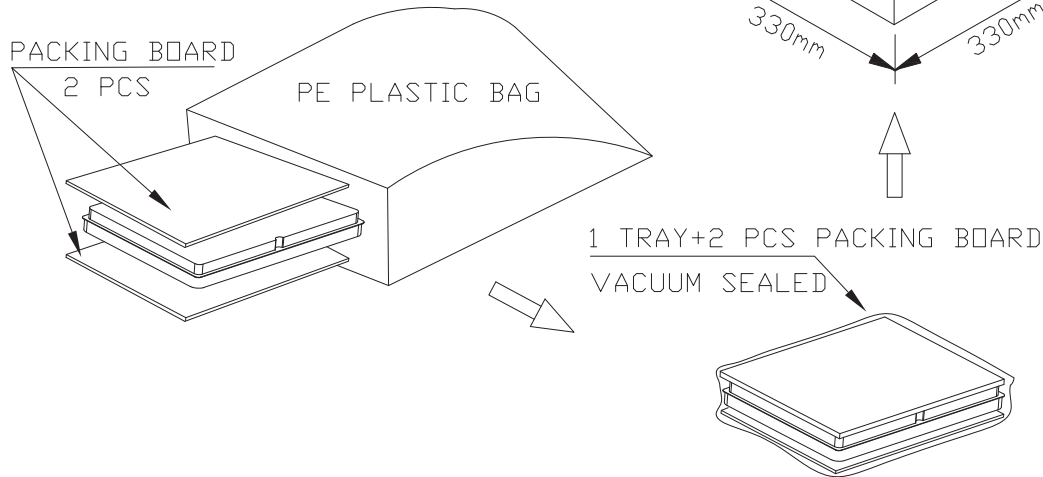
PPOJECTION 

DESCRIPTION:RJ45 8P16C, W/1G TRANSFORMER AND PoE+, W/LED, SHIELDED

5. PACKING SPECIFICATION:



1 PCS: N.W.-9g
 1 CTN: N.W.-5.4Kg(600PCS)
 1 CTN: G.W.-6.8Kg
 SIZE: 330x330x190(mm)



RoHS Compliant

TOLERANCES ARE

MORETHANALL
 PCB CONNECTORS
 Cable ASSEMBLIES

DRAWING BY CY

X. ±

CHECKED BY GENIUS

.X ± 0.30

UNIT / mm

SCALE 1:1

.XX ± 0.25

DATE

.XXX ±

ANG ±

照片框

ORDER INFORMATION

MJF13P112UL-KF06A31GOYX-0808

SERIES

BLACK

06u" GOLD

FRONT TAB 3.18mm

FULL SPRING

8P8C

LED2

GREEN/ORANGE

YELLOW /

LED1

YELLOW /

YELLOW /

YELLOW /

煜倫股份有限公司

www.morethanall.com

SIZE A4

PPOJECTION

DESCRIPTION:RJ45 8P16C, W/1G TRANSFORMER AND PoE+, W/LED, SHIELDED