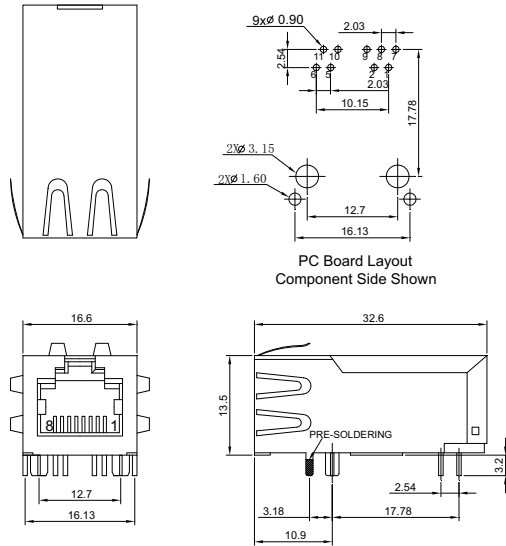
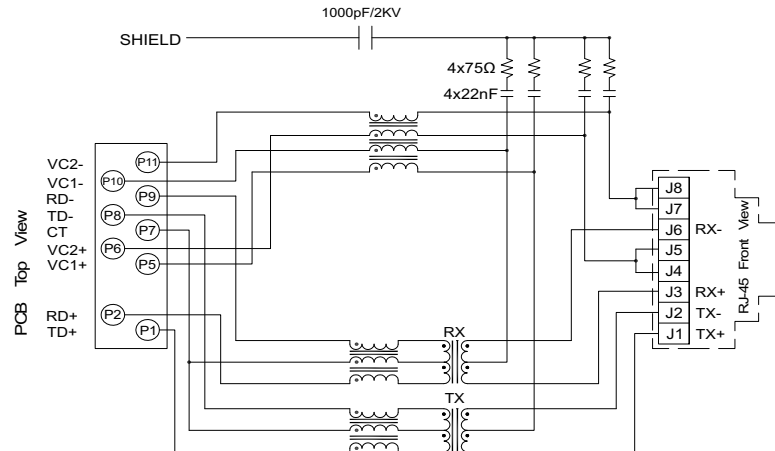


一、Mechanical Dimensions



UNIT:mm Unless otherwise specified, all tolerances are ± 0.25

二、Schematics



三、ELECTRICAL SPECIFICATIONS@25°C:

1. Turn Ratio(?%): 1CT:1CT
2. Insertion Loss (dB TYP):-1.0dB(1-100MHz).
3. Return Loss (dB TYP): -20dB(1-10MHz),-16dB(30MHz),-12dB(60-80MHz)
4. Cross talk(dB TYP): -40dB(1-10MHz),-35dB(30-60MHz),-30dB(60-100MHz).
5. CMR (dB TYP): -26dB(1-50MHz),-20dB(50-130MHz)
6. HI-POT(Pri to Sec):1500Vrms/0.5mA/60Sec or 1650Vrms/0.5mA/2Sec
7. Operating Temperature:0°C TO +70°C
8. RoHS compliance:YES
9. POE applications current capability:350mA

RoHS Compliant

TOLERANCES ARE

MORETHANALL
PCB CONNECTORS
Cable ASSEMBLIES

煜倫股份有限公司

www.morethanall.com

DRAWING BY CY

CHECKED BY GENIUS

UNIT / mm

SCALE 1 : 1

DATE

SIZE A4

X, \pm

.X \pm

.XX \pm

.XXX \pm

ANG \pm

PJECTION

照片框

ORDER INFORMATION

MJF13P07U-KF06A31-0808-LF

SERIES

LEADFREE

8P8C

FRONT TAB 3.18mm

06u" GOLD

FULL SPRING

BLACK

DESCRIPTION:10/100 Base-T POE Single Port Rj45 Integrated Connector

四、Mechanicals

Housing Material:

MATERIAL: NYLON 66 UL94V-0 STANDARD COLOR:BLACK

Insert Material:

MATERIAL: QSn6.5-0.1---0.35mm Thickness

Insert BT GF UL94V-0

- 1.PLATING(1) NICKEL
- 2.PLATING(2) 100%Sn
- 3.PLATING(3) GOLD (6u ")

plug into Housing Material:

PBT+30%GF UL 94V-0

Contact pin Material:

MATERIAL: QSn6.5-0.1---0.35mm Thickness

- 1.PLATING(1) NICKEL
- 2.PLATING(2) 100%Sn

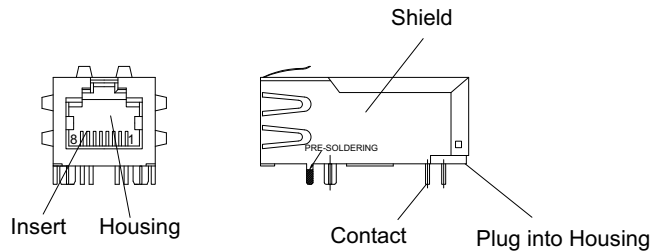
Shielding Material:

BRASS H65Y PLATING NICKEL

Operating Life:750 Cycles MIN.

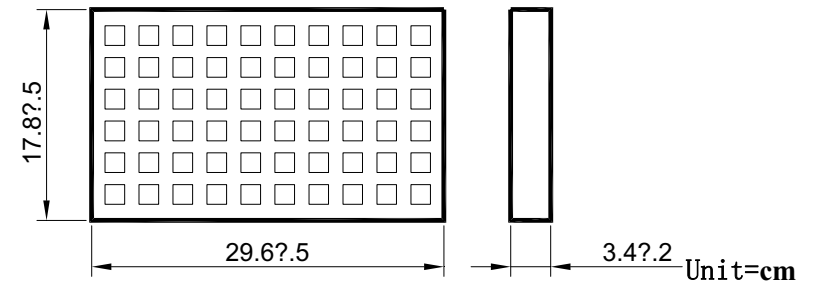
五、Environmental

- 1.Storage Temp:-40℃TO +85℃.
- 2.Operating Temp:0℃TO +70℃
3. MATES WITH MODULAR PLUG CONFORMING TO FCC PART 68,SUBPARTF.

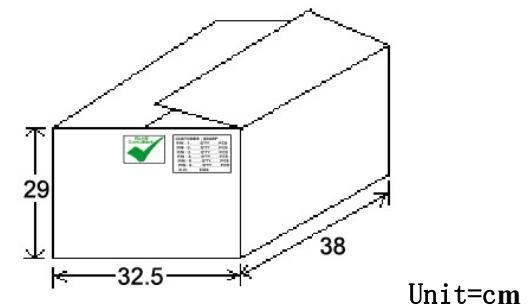


六、Packaging

1. packaging unit : 60 PCS/tray
2. packaging material : PET



3. outer carton unit : 840 pcs/ 14 Trays/box



RoHS Compliant

TOLERANCES ARE

MORETHANALL
PCB CONNECTORS
Cable ASSEMBLIES

煜倫股份有限公司

www.morethanall.com

DRAWING BY CY

CHECKED BY GENIUS

UNIT / mm SCALE 1 : 1

DATE

SIZE A4

X. ±
.X ±
.XX ±
.XXX ±
ANG ±

PJECTION

照片框

ORDER INFORMATION

MJF13P07U-KF06A31-0808-LF

SERIES

LEADFREE

8P8C

FRONT TAB 3.18mm

06u" GOLD

FULL SPRING

BLACK

DESCRIPTION: 10/100 Base-T POE Single Port Rj45 Integrated Connector