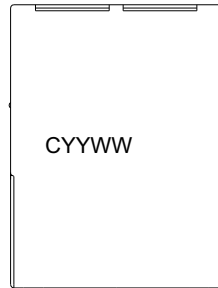
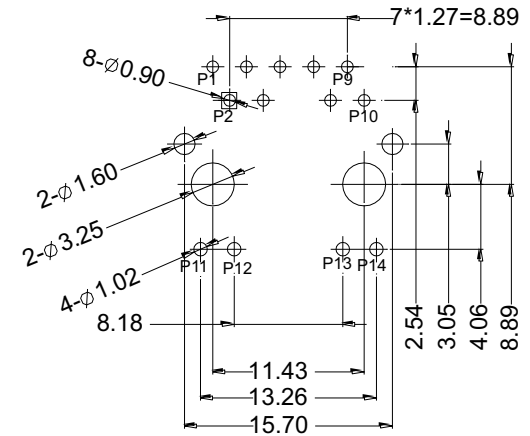
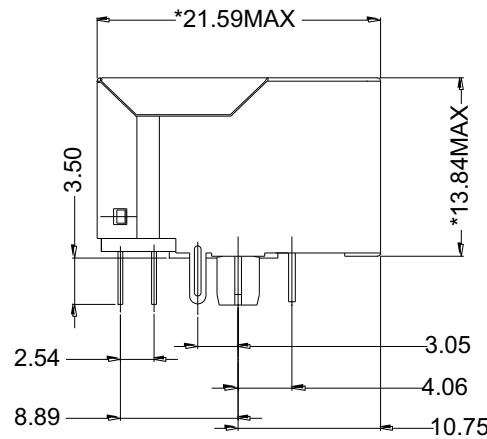
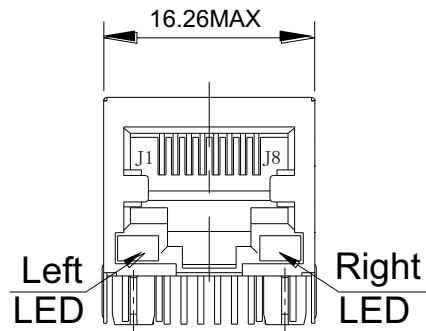


# 一、Mechanical Dimensions



YY:Year WW:Week



PC Board Layout  
Component Side Shown

UNIT:mm Unless otherwise specified,all tolerances are  $\pm 0.25$

RoHS Compliant

TOLERANCES ARE

**MORETHANALL**  
PCB CONNECTORS  
Cable ASSEMBLIES

DRAWING BY CY

X,  $\pm$

CHECKED BY GENIUS

.X,  $\pm$

UNIT / mm

SCALE 1 : 1

.XX,  $\pm$

DATE

.XXX,  $\pm$

ANG,  $\pm$

煜倫股份有限公司

www.morethanall.com

SIZE A4

PJECTION

照片框

ORDER INFORMATION

MJF13P03L-KX06B3YG-0808

SERIES

8P8C

LEFT / RIGHT

YG: YELLOW / GREEN

BLACK

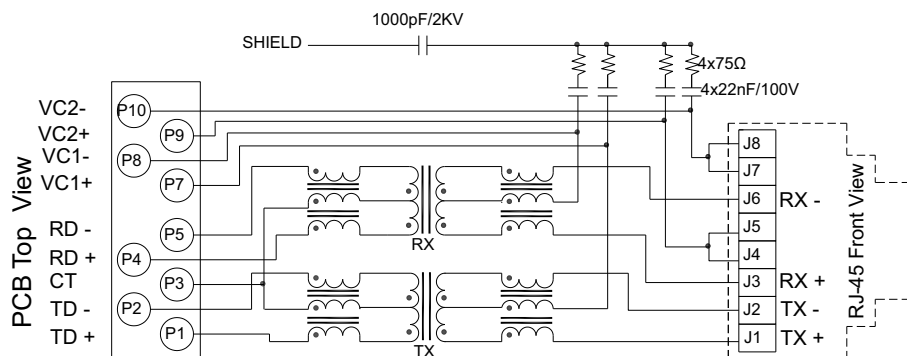
REAR TAB 3.05mm

06u" GOLD

NON EAR

DESCRIPTION: RJ45 10/100 BASE-T POE SINGLE PORT JACK MAGNETICS

## 二、Schematics



## 三、ELECTRICAL SPECIFICATIONS @25°C:

1. Turn Ratio( $\pm 3\%$ ):1CT:1CT
2. Inductance(100KHz/0.1V@8mA):350uH MIN
3. Insertion Loss(dB MAX):-1.0dB(1-100MHz)
4. Return Loss (dB TYP): -20dB(1-10MHz),-16dB(10-30MHz),-12dB(30-60MHz),  
-10dB(60-80MHz)
5. Cross talk(dB TYP):-40dB(1-30MHz), -35dB(30-60MHz), -30dB(60-100MHz)
6. CMR(dB TYP): -25dB(1-500MHz)
7. HI -POT(Pri to Sec):1500Vrms/0.5mA/1min
8. Operating Temperature:-40°C ~+85°C
9. RoHS complianceYES
11. POE applications current capability:350mA



Standard LED	Wavelength	Forward*V(MAX)	TYP
Green	565nm	2.5v	2.2v
Yellow	585nm	2.5v	2.1v

With a forward current of 20mA

**RoHS Compliant**

TOLERANCES ARE

**MORETHANALL**  
PCB CONNECTORS  
Cable ASSEMBLIES

煜倫股份有限公司

www.morethanall.com

DRAWING BY CY

CHECKED BY GENIUS

UNIT / mm SCALE 1 : 1

DATE

SIZE A4

X,  $\pm$

.X  $\pm$

.XX  $\pm$

.XXX  $\pm$

ANG  $\pm$

PJECTION

照片框

ORDER INFORMATION

MJF13P03L-KX06B3YG-0808

SERIES

8P8C

LEFT / RIGHT

YG: YELLOW / GREEN

REAR TAB 3.05mm

BLACK

06u" GOLD

NON EAR

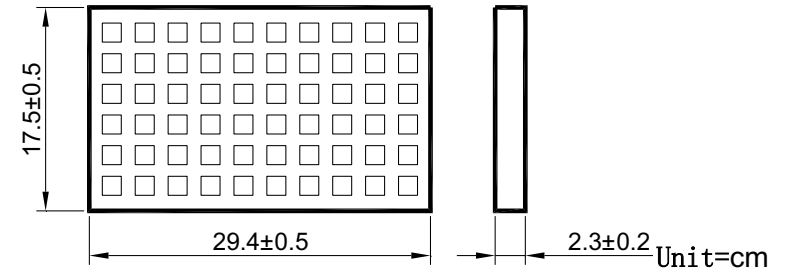
DESCRIPTION: RJ45 10/100 BASE-T POE SINGLE PORT JACK MAGNETICS

## 四、Mechanicals

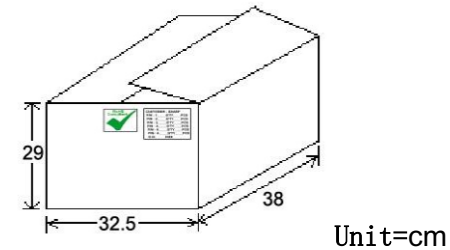
- CONNECTOR MATERIAL :  
 HOUSING:PA66 BLACK UL94 V-0  
 INSERTER:PBT BLACK UL94 V-0  
 SHIELD:Brass  
 SHIELD PLATING:NICKEL  
 CONTACT:COOPER ALLOY  
 CONTACT PLATING:SELECTIVE GOLD, 6 MICRO-INCHS MIN IN CONTACT AREA
- PIN NOT ELECTRICALLY CONNECTED MAYBE OMITTED SEE ELECTRICAL DRAWING FOR OMITTED PINS
- RJ45 CAVITIES CONFORM TO FCC RULES AND REGULATION PART 68.
- THE PART IS RECOMMENDED FOR WAVE SOLDERING PROCESS PEAK SOLDERING TEMPERATURE IS  $250 \pm 10^{\circ}$  C MAX, 5 SECS MAX
- OPERATING TEMPERATURE T= $-40^{\circ}$  C TO  $+85^{\circ}$  C.
- STORAGE TEMPERATURE T= $-40^{\circ}$  C TO  $+85^{\circ}$  C.

## 五、Packaging

- packaging unit : 60 PCS/tray
- packaging material : PET



- outer carton unit: 1320 pcs/ 22 Trays/box
- Weight: 12.0kg per carton



**MORETHANALL**  
 PCB CONNECTORS  
 Cable ASSEMBLIES

煜倫股份有限公司

www.morethanall.com

RoHS Compliant

DRAWING BY CY

CHECKED BY GENIUS

UNIT / mm SCALE 1 : 1

DATE

SIZE A4

TOLERANCES ARE

X. ±  
 .X ±  
 .XX ±  
 .XXX ±  
 ANG ±

PJECTION

照片框

ORDER INFORMATION

MJF13P03L-KX06B3YG-0808

SERIES

8P8C  
 LEFT / RIGHT  
 YG: YELLOW / GREEN  
 REAR TAB 3.05mm  
 06u" GOLD  
 NON EAR

BLACK

DESCRIPTION: RJ45 10/100 BASE-T POE SINGLE PORT JACK MAGNETICS