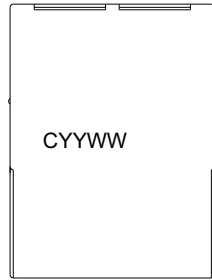
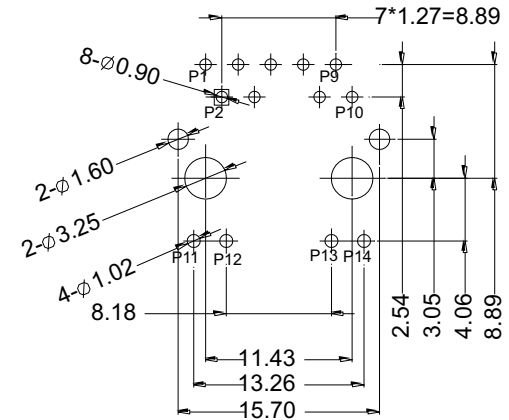
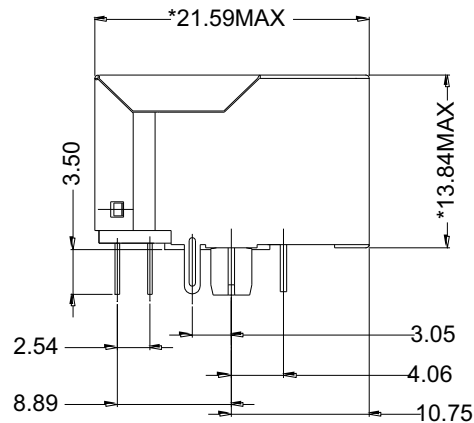
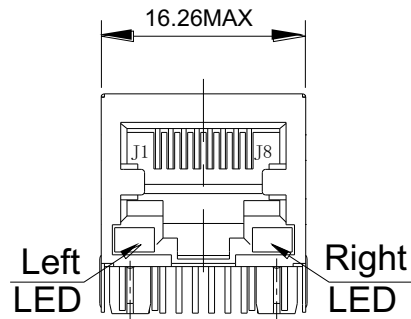


一、Mechanical Dimensions



YY:Year WW:Week



PC Board Layout
Component Side Shown

UNIT:mm Unless otherwise specified,all tolerances are ± 0.25

RoHS Compliant

TOLERANCES ARE

MORETHANALL
PCB CONNECTORS
Cable ASSEMBLIES

DRAWING BY CY

X. \pm

CHECKED BY GENIUS

.X \pm

UNIT / mm

SCALE 1 : 1

.XX \pm

DATE

.XXX \pm

ANG \pm

煜倫股份有限公司

www.morethanall.com

SIZE A4

PJECTION

照片框

ORDER INFORMATION

MJF13P03L-KX06B3GY-0808

SERIES

8P8C

LEFT / RIGHT

GREEN / YELLOW

REAR TAB 3.05mm

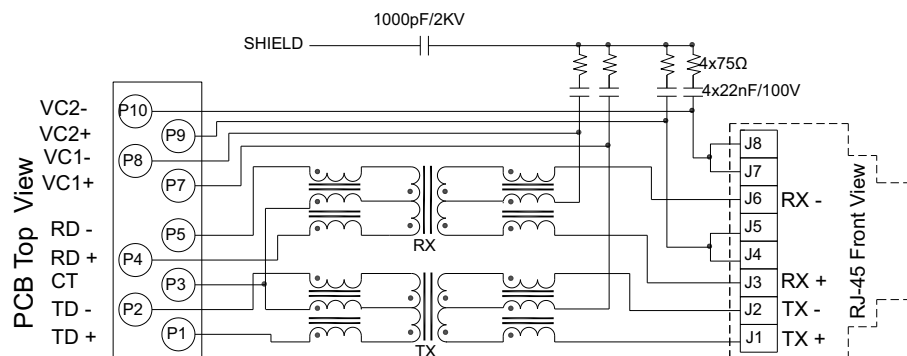
BLACK

06u" GOLD

NON EAR

DESCRIPTION: RJ45 10/100 BASE-T POE SINGLE PORT JACK MAGNETICS

二、Schematics



三、ELECTRICAL SPECIFICATIONS @25°C:

1. Turn Ratio(±3%):1CT:1CT
2. Inductance(100KHz/0.1V@8mA):350uH MIN
3. Insertion Loss(dB MAX):-1.0dB(1-100MHz)
4. Return Loss (dB TYP): -20dB(1-10MHz),-16dB(10-30MHz),-12dB(30-60MHz),
-10dB(60-80MHz)
5. Cross talk(dB TYP):-40dB(1-30MHz), -35dB(30-60MHz), -30dB(60-100MHz)
6. CMR(dB TYP): -25dB(1-500MHz)
7. HI -POT(Pri to Sec):1500Vrms/0.5mA/1min
8. Operating Temperature:-40°C ~+85°C
9. RoHS complianceYES
11. POE applications current capability:350mA



Standard LED	Wavelength	Forward*V(MAX)	TYP
Green	565nm	2.5v	2.2v
Yellow	585nm	2.5v	2.1v

With a forward current of 20mA

MORETHANALL
PCB CONNECTORS
Cable ASSEMBLIES

煜倫股份有限公司

www.morethanall.com

RoHS Compliant

DRAWING BY CY

CHECKED BY GENIUS

UNIT / mm SCALE 1 : 1

DATE

SIZE A4

TOLERANCES ARE

X. ±

.X ±

.XX ±

.XXX ±

ANG ±

PJECTION

照片框

ORDER INFORMATION

MJF13P03L-KX06B3GY-0808

SERIES

BLACK

06u" GOLD

NON EAR

8P8C

LEFT / RIGHT

GREEN / YELLOW

REAR TAB 3.05mm

NON EAR

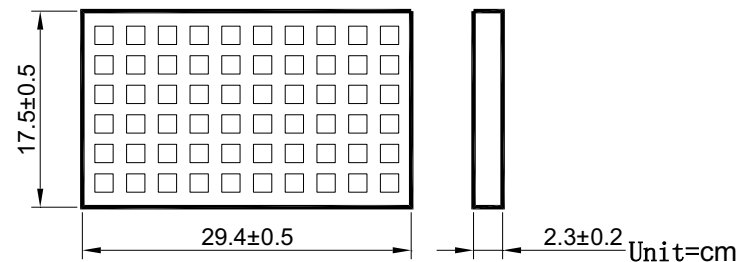
DESCRIPTION: RJ45 10/100 BASE-T POE SINGLE PORT JACK MAGNETICS

四、Mechanicals

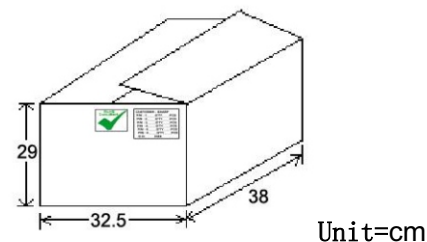
- CONNECTOR MATERIAL:
 - HOUSING:PA66 BLACK UL94 V-0
 - INSERTER:PBT BLACK UL94 V-0
 - SHIELD:Brass
 - SHIELD PLATING:NICKEL
 - CONTACT:COOPER ALLOY
 - CONTACT PLATING:SELECTIVE GOLD,6 MICRO-INCHS MIN IN CONTACT AREA
- PIN NOT ELECTRICALLY CONNECTED MAYBE OMITTED SEE ELECTRICAL DRAWING FOR OMITTED PINS
- RJ45 CAVITIES CONFORM TO FCC RULES AND REGULATION PART 68.
- THE PART IS RECOMMENDED FOR WAVE SOLDERING PROCESS PEAK SOLDERING TEMPERATURE IS $250 \pm 10^{\circ}$ C MAX, 5 SECS MAX
- OPERATING TEMPERATURE T= -40° C TO $+85^{\circ}$ C.
- STORAGE TEMPERATURE T= -40° C TO $+85^{\circ}$ C.

五、Packaging

- packaging unit : 60 PCS/tray
- packaging material : PET



- outer carton unit: 1320 pcs/ 22 Trays/box
- Weight: 12.0kg per carton



RoHS Compliant

TOLERANCES ARE

MORETHANALL
PCB CONNECTORS
Cable ASSEMBLIES

煜倫股份有限公司

www.morethanall.com

DRAWING BY CY

CHECKED BY GENIUS

UNIT / mm SCALE 1 : 1

DATE

SIZE A4

X, ±
.X ±
.XX ±
.XXX ±
ANG ±

PPOJECTION

照片框

ORDER INFORMATION

MJF13P03L-KX06B3GY-0808

SERIES

BLACK

06u" GOLD

NON EAR

8P8C

LEFT / RIGHT
GREEN / YELLOW
REAR TAB 3.05mm

DESCRIPTION: RJ45 10/100 BASE-T POE SINGLE PORT JACK MAGNETICS