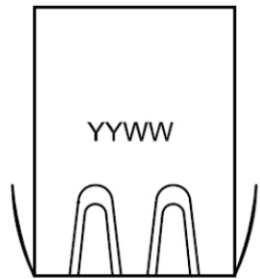
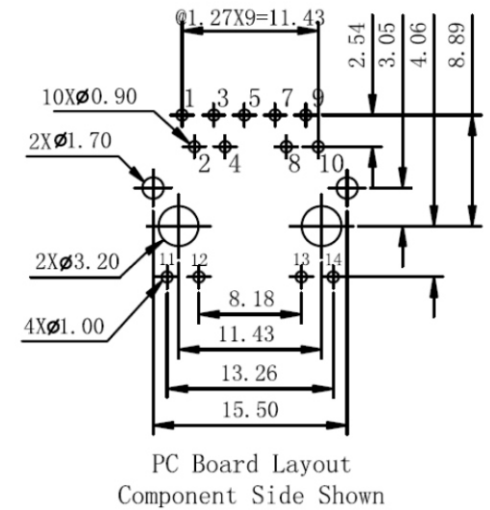
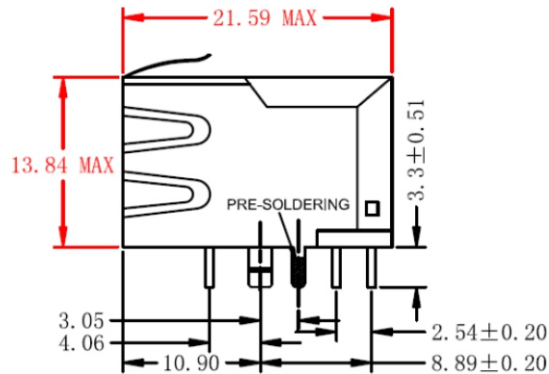
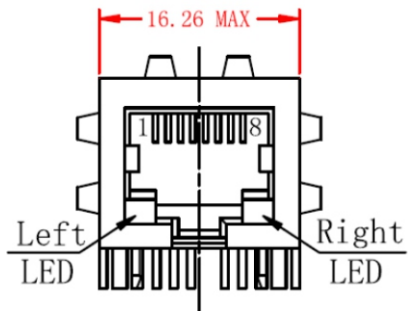


一、Mechanical Dimensions



YY:Year WW:Week



UNIT:mm Unless otherwise specified,all tolerances are ±0.25

RoHS Compliant

TOLERANCES ARE

MORETHANALL
PCB CONNECTORS
Cable ASSEMBLIES

DRAWING BY CY

X. ±

CHECKED BY GENIUS

.X ±

UNIT / mm

SCALE 1 : 1

.XX ±

DATE

.XXX ±

ANG ±

SIZE A4

PPOJECTION

照片框

ORDER INFORMATION

MJF13P03L-KF06B3YG-0808

SERIES

8P8C

LEFT / RIGHT

YG: YELLOW / GREEN

REAR TAB 3.05mm

BLACK

06u" GOLD

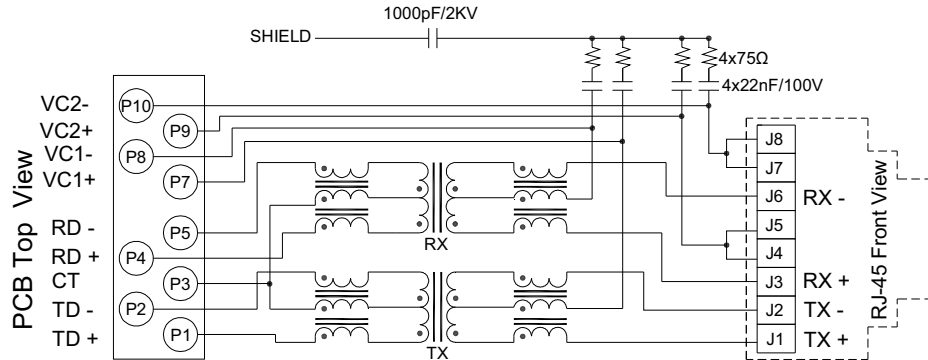
FULL SPRING

煜倫股份有限公司

www.morethanall.com

DESCRIPTION:RJ45 10/100 BASE-T POE SINGLE PORT JACK MAGNETICS

二、Schematics



三、ELECTRICAL SPECIFICATIONS@25 °C:

1. Turn Ratio($\pm 3\%$): 1CT:1CT
2. Inductance(100KHz/0.1V@8mA):350uH MIN@:0°C ~ +70°C
3. Insertion Loss(dB MAX):-1.0dB(1-100MHz)
4. Return Loss (dB TYP): -20dB(1-10MHz),-16dB(10-30MHz),-12dB(30-60MHz),
-10dB(60-80MHz)
5. Cross talk(dB TYP):-40dB(1-30MHz), -35dB(30-60MHz), -30dB(60-100MHz)
6. CMR(dB TYP): -25dB(1-500MHz)
7. HI-POT(Pri to Sec) :1500Vrms/0.5mA/1min
8. Operating Temperature: -40°C ~ +85°C
9. RoHS compliance: YES
11. POE applications current capability:350mA



Standard LED	Wavelength	Forward* V(MAX)	TYP
Green	565nm	2.5v	2.2v
Yellow	585nm	2.5v	2.1v

With a forward current of 20mA

RoHS Compliant

TOLERANCES ARE

MORETHANALL
PCB CONNECTORS
Cable ASSEMBLIES

煜倫股份有限公司

www.morethanall.com

DRAWING BY CY

CHECKED BY GENIUS

UNIT / mm SCALE 1 : 1

DATE

SIZE A4

X, \pm

.X \pm

.XX \pm

.XXX \pm

ANG \pm

P PROJECTION

照片框

ORDER INFORMATION

MJF13P03L-KF06B3YG-0808

SERIES

8P8C

LEFT / RIGHT

YG: YELLOW / GREEN

REAR TAB 3.05mm

BLACK

06u" GOLD

FULL SPRING

DESCRIPTION: RJ45 10/100 BASE-T POE SINGLE PORT JACK MAGNETICS

四、Mechanicals

Housing Material:

MATERIAL:NYLON 66 UL94V-0 STANDARD COLOR:BLACK

Insert Material:

MATERIAL:Phos-Bronze C5210 EH--0.35mm Thickness

Insert -PBT GF UL94V-0

- 1.PLATING(1) NICKEL
- 2.PLATING(2) 100%Sn
- 3.PLATING(3) GOLD (3u " ~50u ")

Plate Material:

PBT GF UL 94V-0

Contact pin Material:

MATERIAL: Phos-Bronze C5191---0.35mm Thickness

- 1.PLATING(1) NICKEL
- 2.PLATING(2) 100%Sn

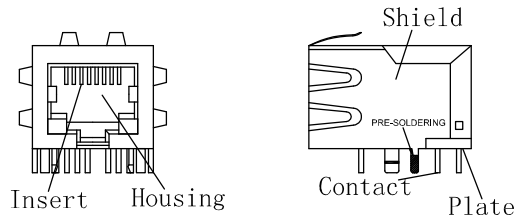
Shielding Material:

BRASS C2680 PLATING NICKEL

Operating Life:750 Cycles MIN.

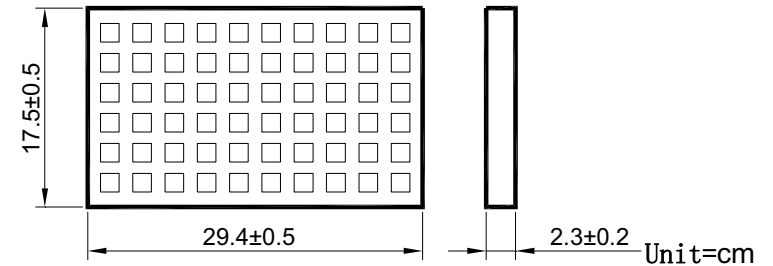
五、Environmental

- 1.Storage Temp:-40℃TO +85℃.
- 2.Operating Temp: -40℃TO +85℃.
3. MATES WITH MODULAR PLUG CONFORMING TO FCC PART 68,SUBPARTF.

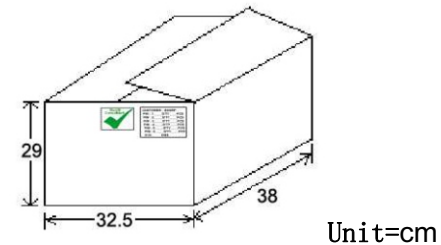


六、Packaging

1. packaging unit : 60 PCS/tray
2. packaging material : PET



3. outer carton unit 1320 pcs/ 22 Trays/box
4. Weight: 12.0kg percarton



MORETHANALL
PCB CONNECTORS
Cable ASSEMBLIES

煜倫股份有限公司

www.morethanall.com

RoHS Compliant

DRAWING BY CY

CHECKED BY GENIUS

UNIT / mm SCALE 1 : 1

DATE

SIZE A4

TOLERANCES ARE

X. ±
.X ±
.XX ±
.XXX ±
ANG ±

PPOJECTION

照片框

ORDER INFORMATION

MJF13P03L-KF06B3YG-0808

SERIES

8P8C

LEFT / RIGHT

YG: YELLOW / GREEN

REAR TAB 3.05mm

BLACK

06u" GOLD

FULL SPRING

DESCRIPTION:RJ45 10/100 BASE-T POE SINGLE PORT JACK MAGNETICS