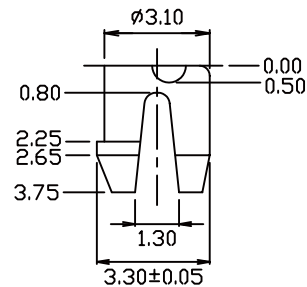
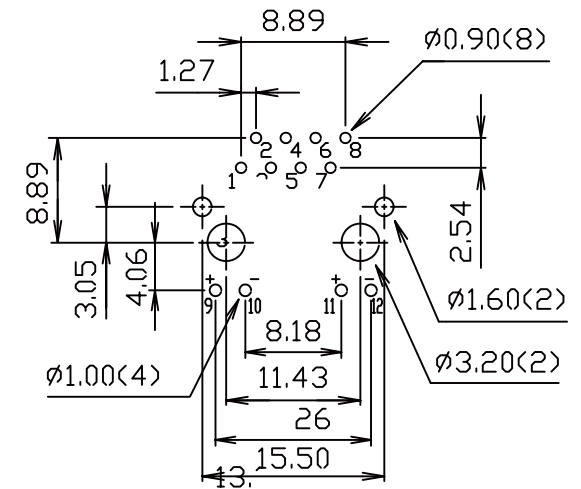
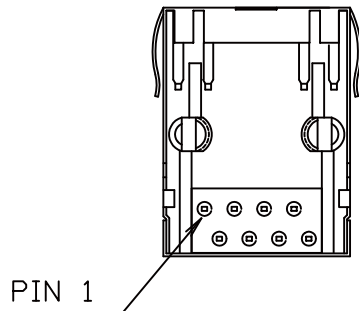


- MATERIALS:**
- HOUSING-PBT POLYESTER UL94V-0 MIXED GLASS FIBER, STANDARD COLOR-BLACK.
  - CONTACTS-0.35mm THICK PHOS-BRONZE PLATED WITH HARD GOLD AND TIN/LEAD IN SOLDER AREA.
  - SHIELD-0.25mm THICK COPPER ALLOY, PLATED WITH NICKEL.
- CAVITY CONFIRMS TO FCC RULES AND REGULATIONS PART 68,SUBPART F.



**DETAIL Y**



PC Board Layout Ref.

**RoHS Compliant**

TOLERANCES ARE

**MORETHANALL**  
PCB CONNECTORS  
Cable ASSEMBLIES

DRAWING BY CY

X ± 0.30

CHECKED BY GENIUS

X ± 0.30

UNIT / mm

SCALE 1 : 1

.XX ± 0.20

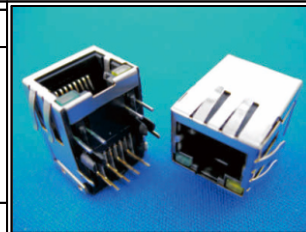
DATE

.XXX ± 0.20

ANG ± 1°

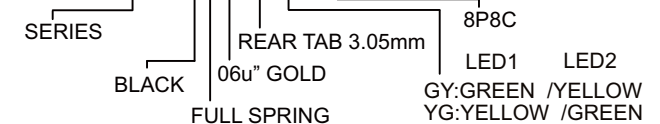
SIZE A4

P PROJECTION



**ORDER INFORMATION**

**MJF13L-KF06B3xx-0808**



**煜倫股份有限公司**

www.morethanall.com

DESCRIPTION: SINGLE PORT, RJ45, SHIELDED WITH LED'S, SIDE ENTRY PCB JACK