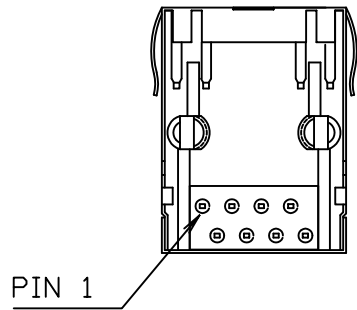
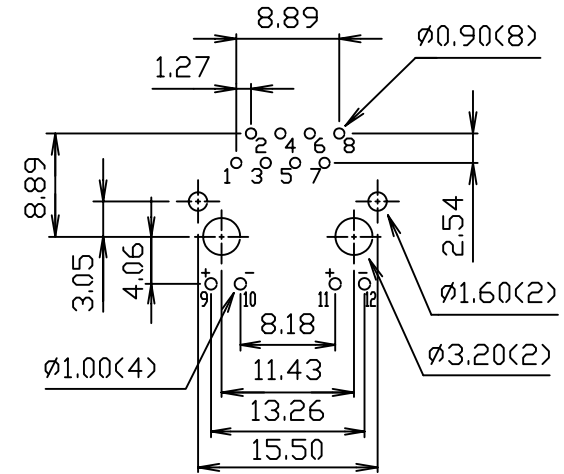


MATERIALS:

- HOUSING-PBT POLYESTER UL94V-0 MIXED GLASS FIBER. STANDARD COLOR-BLACK.
- CONTACTS-0.35mm THICK PHOS-BRONZE PLATED WITH HARD GOLD AND TIN/LEAD IN SOLDER AREA.
- SHIELD-0.25mm THICK COPPER ALLOY, PLATED WITH NICKEL.

CAVITY CONFIRMS TO FCC RULES AND REGULATIONS PART 68,SUBPART F.



RoHS Compliant

TOLERANCES ARE

MORETHANALL
PCB CONNECTORS
Cable ASSEMBLIES

DRAWING BY CY

X.±

CHECKED BY GENIUS

.X±

UNIT / mm SCALE 1 : 1

.XX±

DATE

.XXX±

SIZE A4

ANG±

P PROJECTION

照片框

ORDER INFORMATION

MJF13L-KF06B3YG-0808-LF
SERIES 8P8C LEADFREE
BLACK LED1 / LED2
FULL SPRING YELLOW / GREEN
REAR TAB 3.05mm
06u" GOLD

DESCRIPTION: SINGLE PORT, RJ45, SHIELDED WITH LED'S, SIDE ENTRY PCB JACK

www.morethanall.com

煜倫股份有限公司