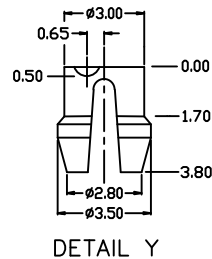
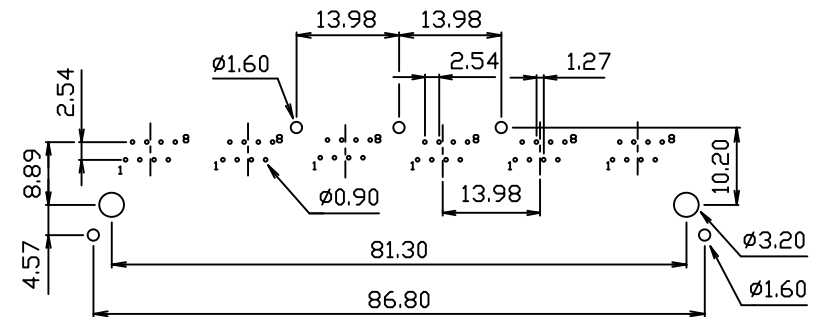
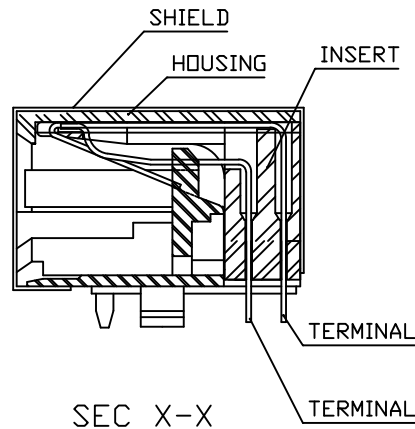
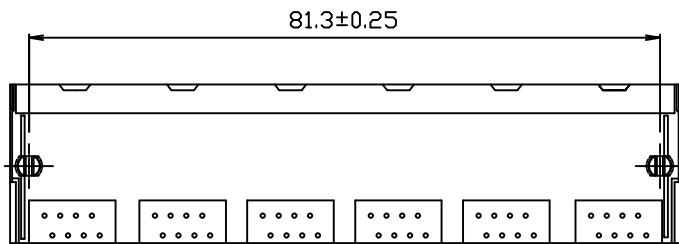


MATERIALS:

- HOUSING-PBT POLYESTER UL94V-0 MIXED GLASS FIBER. STANDARD COLOR-BLACK
 - SHIELD-0.25mm THICK COPPER ALLOY, NICKEL PLATED.
 - CONTACTS-0.35mm THICK PHOS-BRONZE PLATED WITH 6u" HARD GOLD AND GOLD FLASH IN SOLDER AREA.
- CAVITY CONFIRMS TO FCC RULES AND REGULATIONS PART 68,SUBPART F.



RoHS Compliant

TOLERANCES ARE

MORETHANALL
PCB CONNECTORS
Cable ASSEMBLIES
煜倫股份有限公司
www.morethanall.com

DRAWING BY CY		X, ± .X ± 0.25 .XX ± 0.13 .XXX ± 0.05 ANG ±
CHECKED BY GENIUS		
UNIT / mm	SCALE 1 : 1	
DATE		
SIZE A4	PPOJECTION	

照片框

ORDER INFORMATION

MJF13C5A6-KX06A45-0808-LF
SERIES | LEADFREE
BLACK | 8P8C
06u" GOLD | FRONT TAB 4.57mm
NON EAR

DESCRIPTION: 6PORTS 8POSITION SHIELDED SIDE ENTRY PCB GANGED JACK