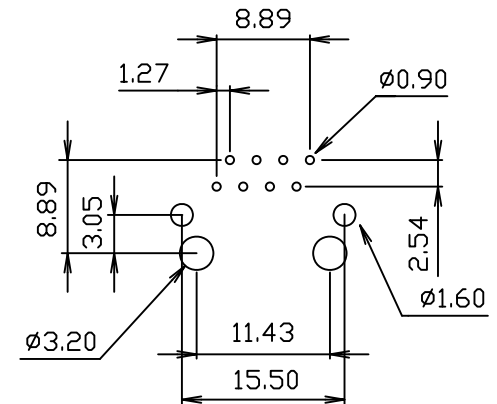
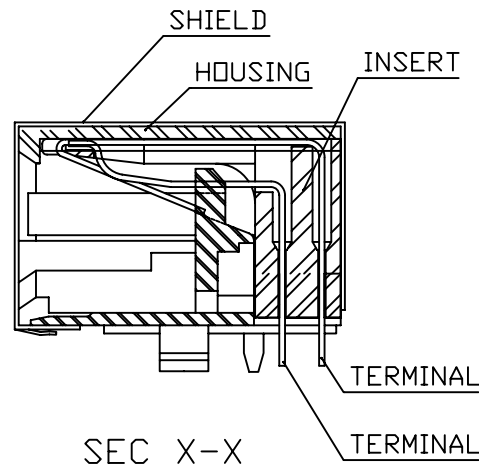
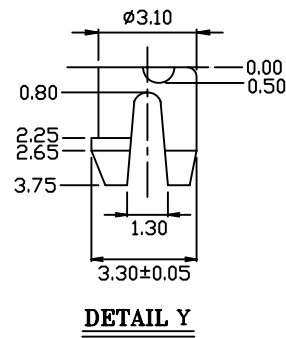
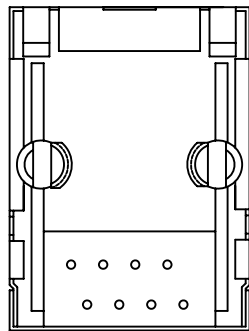


MATERIALS:

- HOUSING-PBT POLYESTER UL94V-0 MIXED GLASS FIBER. STANDARD COLOR-BLACK
 - SHIELD-0.25mm THICK COPPER ALLOY, TIN-LEAD OR NICKEL PLATED.
 - CONTACTS-0.35mm THICK PHOS-BRONZE PLATED WITH HARD GOLD AND TIN/LEAD IN SOLDER AREA.
- CAVITY CONFORMS TO FCC RULES AND REGULATIONS PART 68,SUBPART F.



PC Board Layout

RoHS Compliant

TOLERANCES ARE

MORETHANALL
PCB CONNECTORS
Cable ASSEMBLIES

DRAWING BY CY
CHECKED BY GENIUS
UNIT / mm SCALE 1:1
DATE

X, ±
.X ±
.XX ±
.XXX ±
ANG ±

照片框

ORDER INFORMATION

MJF13C5-KXxxB3-0808-LF
SERIES REAR TAB 3.05mm
LEADFREE
8P8C
BLACK 06:06u" GOLD
NON EAR 30:30u" GOLD
50:50u" GOLD

煜倫股份有限公司

www.morethanall.com

SIZE A4

PJECTION

DESCRIPTION: CAT.5 SINGLE PORT 8POSITION SHIELDED SIDE ENTRY PCB JACK