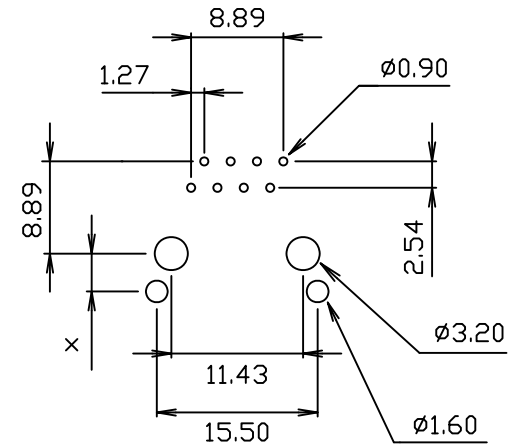
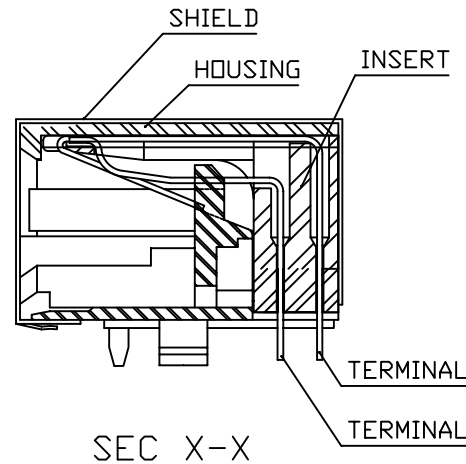
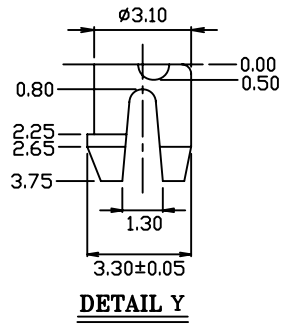


MATERIALS:

- HOUSING-PBT POLYESTER UL94V-0 MIXED GLASS FIBER. STANDARD COLOR-BLACK
- SHIELD-0.25mm THICK COPPER ALLOY, PLATED WITH NICKEL.
- CONTACTS-0.35mm THICK PHOS-BRONZE PLATED WITH HARD GOLD AND GOLD FLASH IN SOLDER AREA.

CAVITY CONFIRMS TO FCC RULES AND REGULATIONS PART 68,SUBPART F.



PC Board Layout

RoHS Compliant

TOLERANCES ARE



DRAWING BY CY

CHECKED BY GENIUS

UNIT / mm SCALE 1 : 1

DATE

SIZE A4

X, ±
.X ±
.XX ±
.XXX ±
ANG ±

P PROJECTION

照片框

ORDER INFORMATION

MJF13C5-KXxxAx-0808-LF

SERIES LEADFREE

8P8C

BLACK A3:FRONT TAB 3.05mm

NON EAR A36:FRONT TAB 3.68mm

06:06u" GOLD A45:FRONT TAB 4.57mm

50:50u" GOLD

DESCRIPTION: CAT.5 SINGLE PORT 8POSITION SHIELDED SIDE ENTRY PCB JACK

煜倫股份有限公司

www.morethanall.com