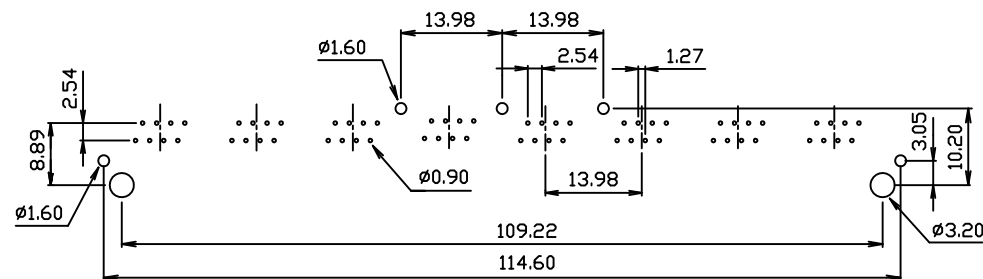
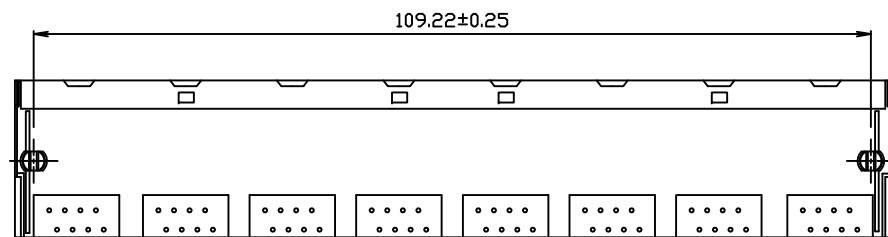
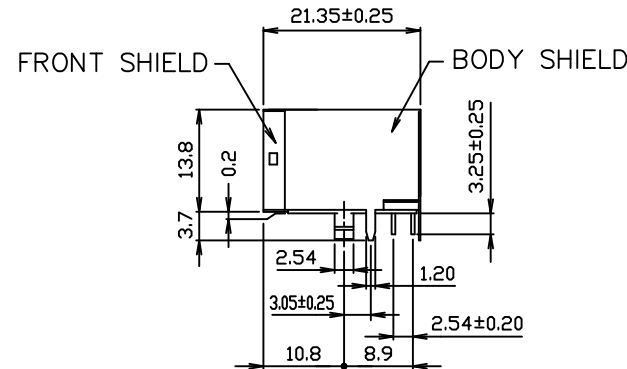
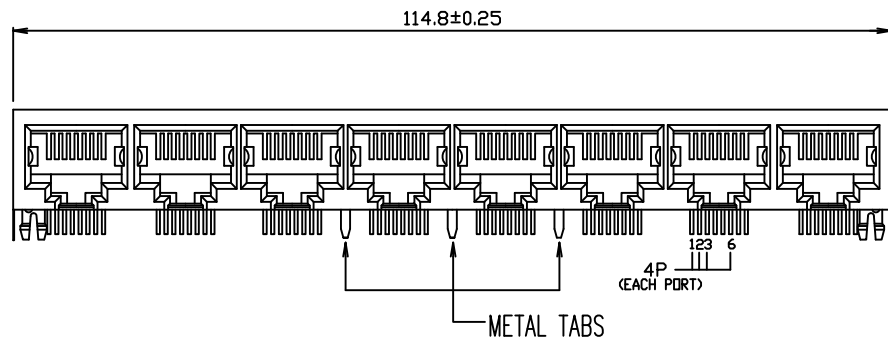


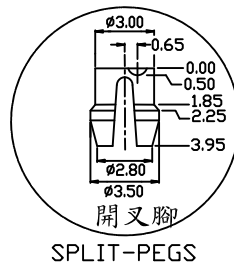
MATERIALS:

- HOUSING-PBT POLYESTER UL94V-0
MIXED GLASS FIBER.
STANDARD COLOR-BLACK
- CONTACTS -0.45mm DIM. PHOS-BRONZE PLATED
PART 68,SUBPART F.
WITH HARD GOLD.

- METAL SHIELD-0.25mm THICK COPPER ALLOY,
PLATED WITH NICKEL.
- CAVITY CONFIRMS TO FCC RULES AND REGULATIONS



PC Board Layout



SPLIT-PEGS

MJF13A8-KX06B3-0808

06:6u"/GOLD

MoHS Compliant

MORETHANALL
CONNECTORS
ASSEMBLIES

PART NO. MJF13A8-KX06B3-0808

DWG NO. MJF13A8-KX06B3-0808

FILE NO.

UNIT / mm

SCALE 1:1

CHECKED BY CY

DRAWING BY

PROJECTION

TOLERANCES ARE

.X ± 0.2
.XX ±
.XXX ±
AWG

DESCRIPTION:

8 PORTS 8 POSITION SHIELDED
SIDE ENTRY PCB GANGED JACK

AREA

REVISIONS

HK

DATE

焯倫股份有限公司