

NOTES:

1. MATERIALS:
HOUSING: PBT POLYESTER UL94V-0
MIXED GLASS FIBER.
STANDARD COLOR-BLACK.
CONTACTS: 0.35mm THICK PHOS-BRONZE PLATED
WITH 15u" GOLD IN CONTACT AREA AND TIN IN
SOLDER AREA, UNDERPLATED WITH NICKEL
IN ALL AREA.
SHIELD: 0.25mm THICK COPPER ALLOY,
PLATED WITH NICKEL.
2. OPERATING TEMPERATURE: 0°C-70°C
3. CAVITY CONFORMS TO FCC RULES AND REGULATIONS
PART 68, SUBPART F
4. UNSPECIFIED TOLERANCE: .XX ±0.25[0.010]
.X ±0.30[0.012]

RoHS Compliant

TOLERANCES ARE

- X. ±
- .X ± 0.25
- .XX ± 0.15
- .XXX ± 0.05
- ANG ±

照片框

ORDER INFORMATION

MJF135T45L-KF06B3YG43-0808

SERIES 8P8C
YELLOW / GREEN
REAR TAB 3.05mm
06u" GOLD
FULL SPRING
BLACK

MORETHANALL
PCB CONNECTORS
Cable ASSEMBLIES

煜倫股份有限公司

www.morethanall.com

DRAWING BY CY
CHECKED BY GENIUS
UNIT / mm SCALE 1 : 1
DATE

SIZE A4 PPROJECTION

DESCRIPTION:

ELECTRICAL CHARACTERISTICS :

TEST NOTES: (25±5 °C)

1. TR: (100KHz, 0.1V);

PINS: (P1-P2):(J1-J2)=1:1±3%

PINS: (P7-P8):(J3-J6)=1:1±3%

2. LX: (100KHz, 100mV, 8mA, DC Bias)

PINS: (P1, P2), (P7, P8)=350uH MINIMUM

3. DCR:

PINS: (J1-J2), (J3-J6)= 1.2 OHMS MAXIMUM

4. HIPOT:

PINS(P1, P3, P2)TO(J1, J2)=1500VAC FOR 60 SECONDS

PINS(P7, P3, P8)TO(J3, J6)=1500VAC FOR 60 SECONDS

5. INSERTION LOSS:

-1.0dB MAXIMUM AT 0.3MHz TO 100MHz;

6. RETURN LOSS:

-20dB MINIMUM AT 1MHz TO 30MHz;

-15dB MINIMUM AT 30MHz TO 60MHz

-10dB MINIMUM AT 60MHz TO 80MHz

7. CROSS TALK:

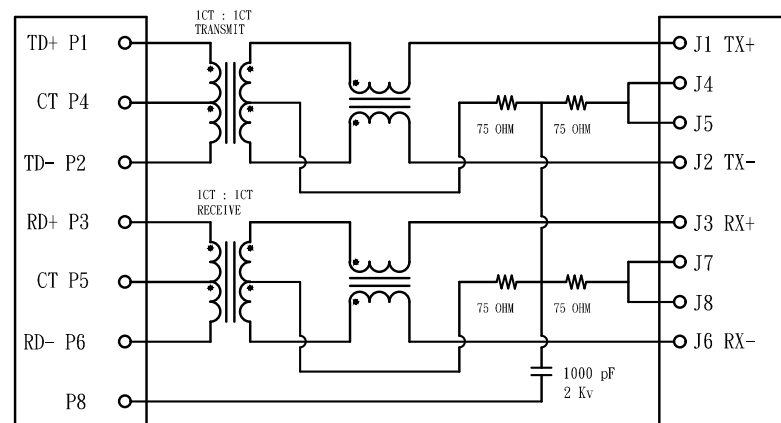
-30dB MINIMUM AT 1MHz TO 100MHz

8. COMMON TO COMMON MODE REJECTION:

-30dB MINIMUM AT 1MHz TO 100MHz

CONNECTOR SOLDER SIDE

RJ45 CONTACT SIDE



RoHS Compliant

TOLERANCES ARE

MORETHANALL
PCB CONNECTORS
Cable ASSEMBLIES
煜倫股份有限公司

DRAWING BY CY

CHECKED BY GENIUS

UNIT / mm SCALE 1 : 1

DATE

SIZE A4

X, ±
.X ± 0.25
.XX ± 0.15
.XXX ± 0.05
ANG ±

PJECTION

照片框

ORDER INFORMATION

MJF135T45L-KF06B3YG43-0808

SERIES

8P8C

YELLOW / GREEN
REAR TAB 3.05mm

06u" GOLD
FULL SPRING
BLACK

DESCRIPTION:

www.morethanall.com