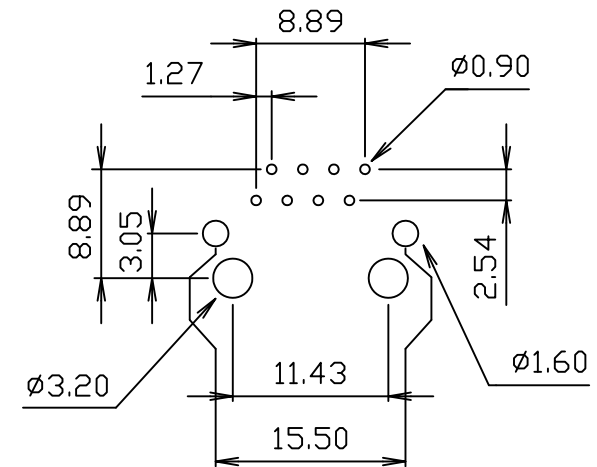
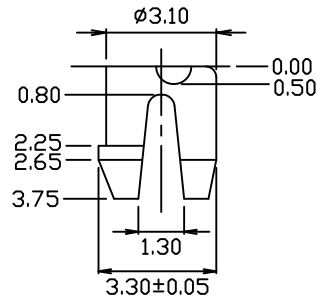
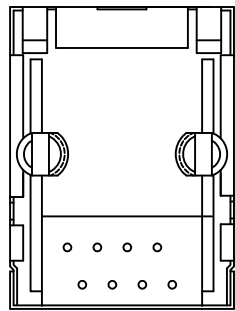


MATERIAL: • HOUSING-PBT POLYESTER UL94V-0
 MIXED GLASS FIBER.
 STANDARD COLOR-BLACK
 • CONTACTS-0.45mm DIA. PHOS-BRONZE
 PLATED WITH HARD GOLD.
 • SHIELD-0.25mm THICK COPPER ALLOY,
 PLATED WITH NICKEL.
 CAVITY CONFIRMS TO FCC RULES AND REGULATIONS
 PART 68,SUBPART F.

MJF13-KU06B3-0808-LF
 LEADFREE

RoHS Compliant



PC Board Layout

MORETHANALL
 CONNECTORS
 ASSEMBLIES

PART NO. MJF13-KU06B3-0808

DWG NO. MJF13-KU06B3-0808

FILE NO.

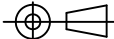
UNIT / mm

SCALE 1:1

CHECKED BY CY

DRAWING BY

PROJECTION



TOLERANCES ARE

.X ± 0.2
 .XX ±
 .XXX ±
 AWG

DESCRIPTION:

8POSITION SHIELDED S-P.G.
 ROUND PIN SIDE ENTRY PCB JACK

AREA

REVISIONS

HK

DATE

焯倫股份有限公司