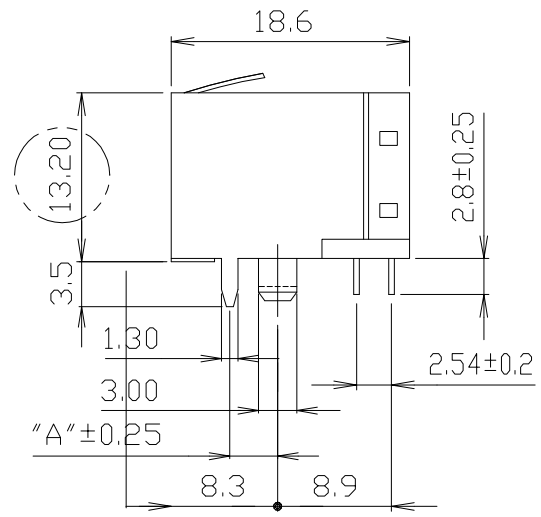
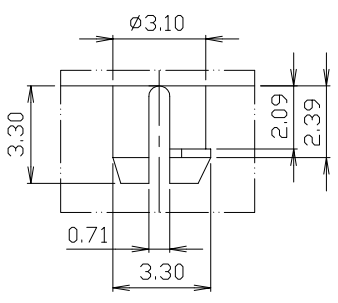
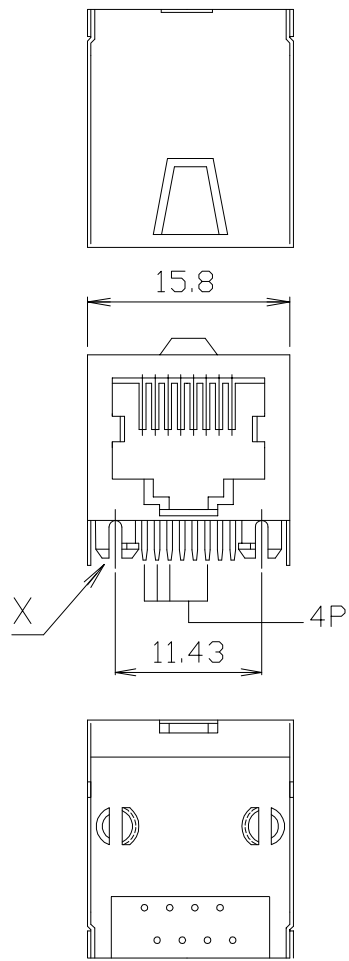
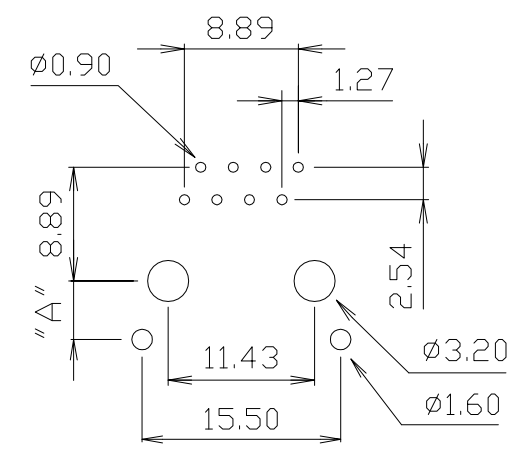


MATERIALS:
 • HOUSING-DSM STANYL TE250F6 (NYLON-46)
 HEAT DEFLECTION TEMP.290°
 BLACK COLOR, UL94V-0
 • CONTACTS-0.45mm DIA. ROUND PHOS-BRONZE
 PLATED WITH HARD GOLD.
 • SHIELD-0.20mm THICK COPPER ALLOY,
 PLATED WITH NICKEL.
 CAVITY CONFIRMS TO FCC RULES AND REGULATIONS
 PART 68,SUBPART F.



"A" DIM
4.57
3.65
3.05



MJF13-KT06Ax-0808-LF
LEADFREE
 A4:4.57mm
 A36:3.65mm
 A3:3.05mm

RoHS Compliant



PART NO. MJF13-KT06Ax-0808

DWG NO. MJF13-KT06Ax-0808

CHECKED BY CY

TOLERANCES ARE

DESCRIP TION:

RJ45, SHIELDED
 LOW PROFILE, SIDE ENTRY PCB JACK

FILE NO.

DRAWING BY

.X±0.2
 .XX±0.1
 .XXX±
 AWG

AREA

REVISIONS

HK

DATE

煜倫股份有限公司

UNIT / mm

SCALE 1:1

PROJECTION