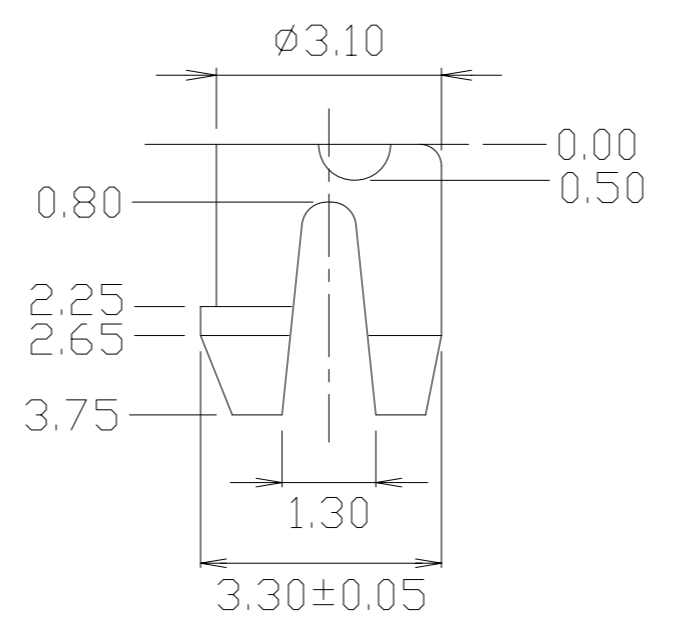
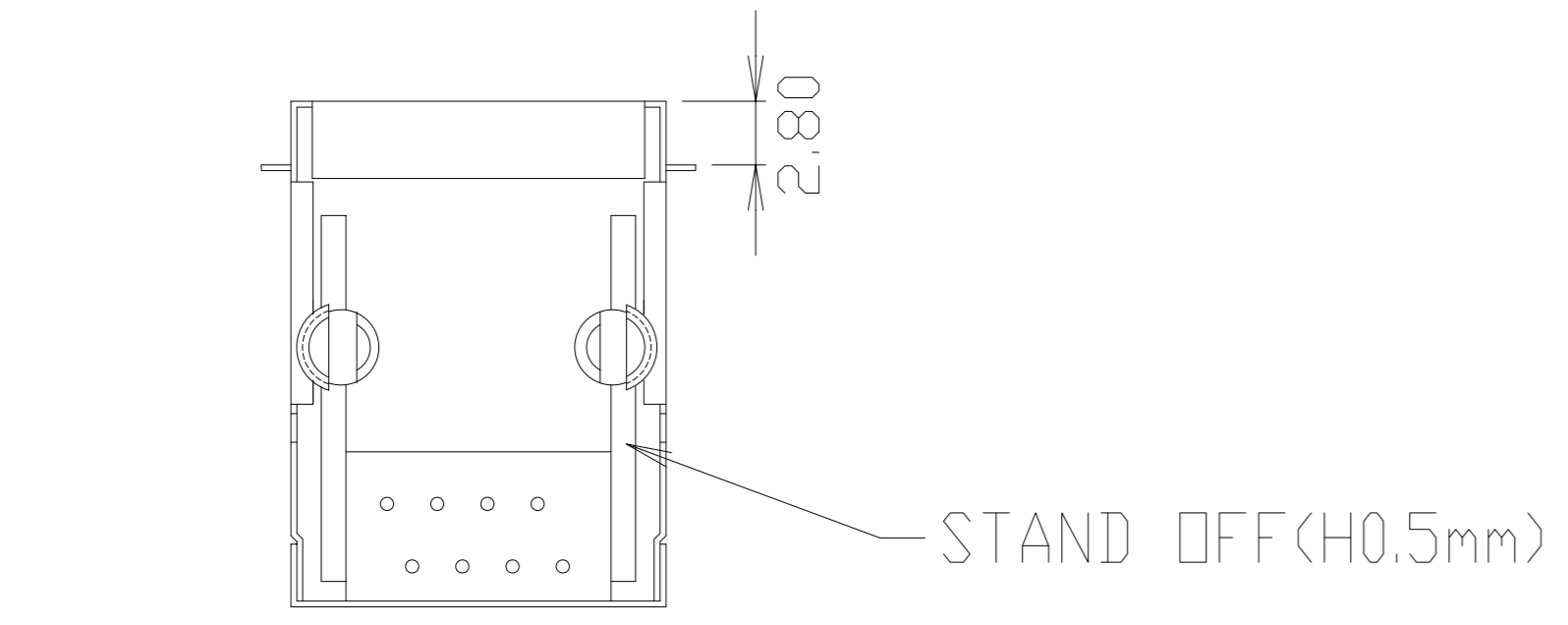
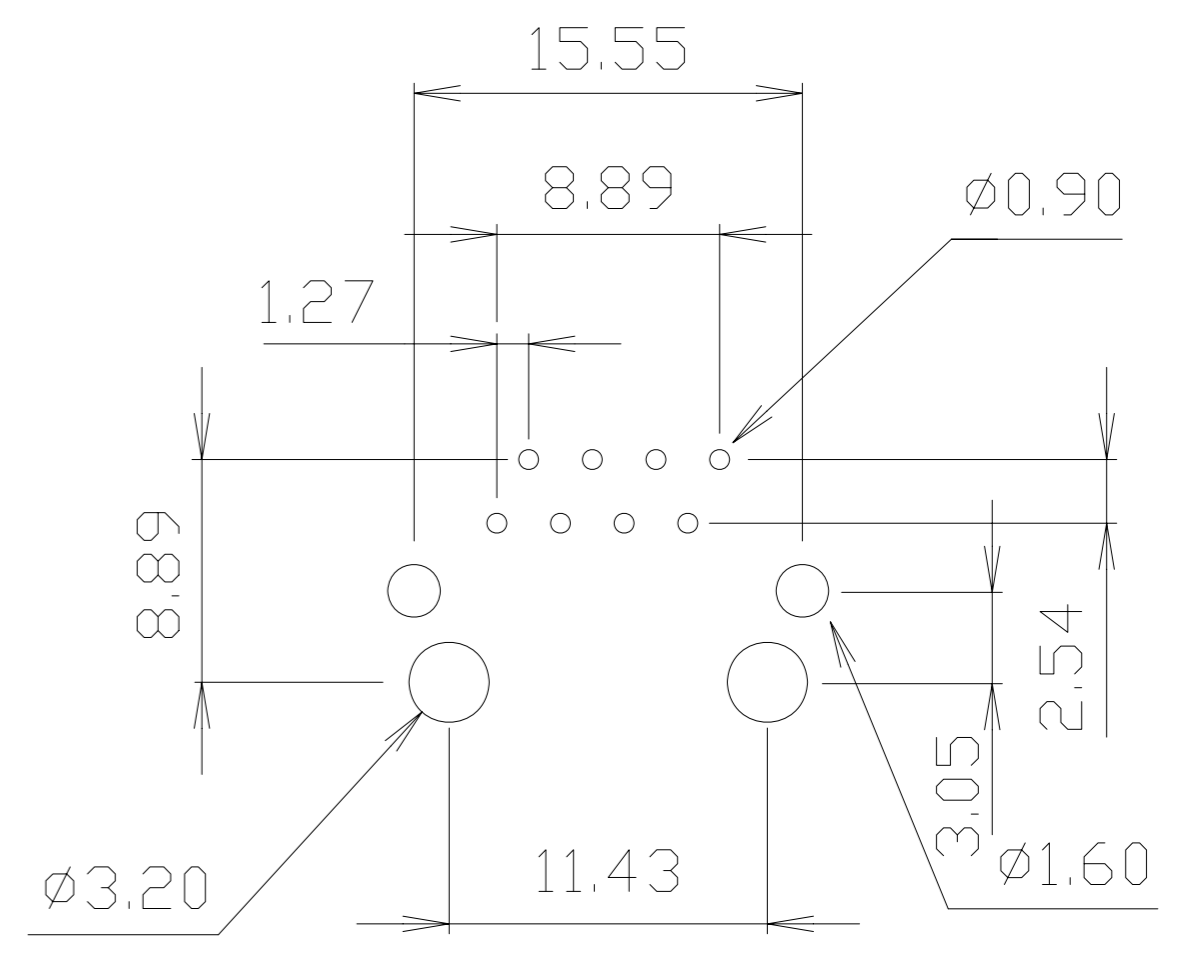


MATERIAL: • HOUSING-PBT POLYESTER UL94V-0
MIXED GLASS FIBER.
STANDARD COLOR-BLACK
• CONTACTS-0.45mm DIA. PHOS-BRONZE
PLATED WITH HARD GOLD.
• SHIELD-0.25mm THICK COPPER ALLOY,
PLATED WITH NICKEL.
CAVITY CONFIRMS TO FCC RULES AND REGULATIONS
PART 68,SUBPART F.



DETAIL X



PC Board Layout

MJF13-KE50B3-0808-LF
LEADFREE

RoHS Compliant



PART NO. MJF13-KE50B3-0808

DWG NO. MJF13-KE50B3-0808

FILE NO.

UNIT / mm

SCALE 1:1

CHECKED BY CY

DRAWING BY

PROJECTION

TOLERANCES ARE
.X±0.2
.XX±0.1
.XXX±
AWG

DESCRIPTION:
AREA

8POSITION SHIELDED SIDE ENTRY PCB JACK			
REVISIONS	HK	DATE	

煜倫股份有限公司