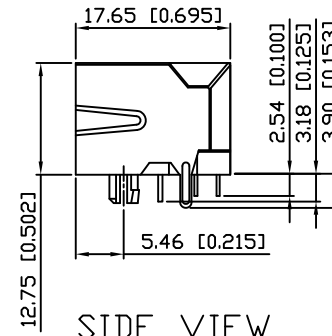
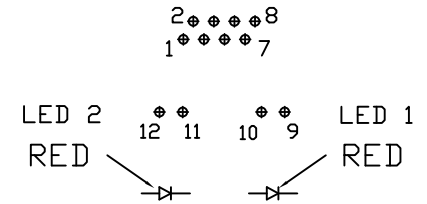


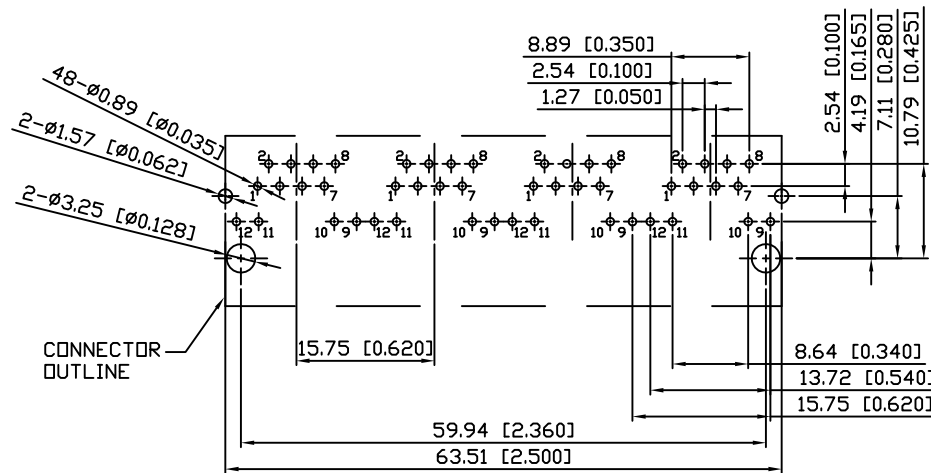
FRONT VIEW



SIDE VIEW



LED SCHEMATIC

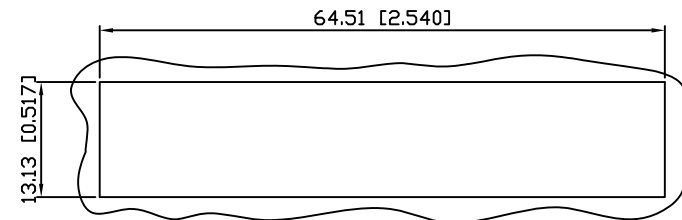


SUGGESTED PCB LAYOUT
TOP VIEW

DIMENSIONAL TOLERANCE: .XX ±0.08[0.003]

NOTES:

- MATERIALS:
HOUSING: HIGH TEMP. THERMOPLASTIC, PBT, UL 94V-0, BLACK
CONTACTS: T=0.35 mm PHOSPHOR BORNEZE, NICKEL UNDERPLATE ON ALL AREA, TIN ON TERMINATION END, 3u" GOLD ON CONTACT AREA.
SHIELD: T=0.25 mm COPPER ZINC ALLOY PLATED WITH NICKEL.
- OPERATING TEMPERATURE : -40°C ~ +85°C
- JACK CAVITY CONFORMS TO FCC RULES AND REGULATIONS PART 68, SUBPART F
- UNSPECIFIED TOLERANCE: .XX ±0.25[0.010]
.X ±0.30[0.012]



RECOMMENDED
PANEL CUTOUT DIMENSION

MJF12LA4-KSD6B7RR-0808

RoHS Compliant

MORETHANALL
CONNECTORS
ASSEMBLIES

PART NO. MJF12LA4-KSD6B7RR-0808

DWG NO. MJF12LA4-KSD6B7RR-0808

FILE NO.

CHECKED BY CY

DRAWING BY

TOLERANCES ARE

X, ±
.X ±
.XX ±
.XXX ±
ANG

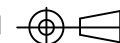
DESCRIPTION: LOWER PORT RJ45, W/ LED, SHIELDED

煜倫股份有限公司

UNIT / mm

SCALE 1:1

PROJECTION



AREA

REVISIONS

DATE