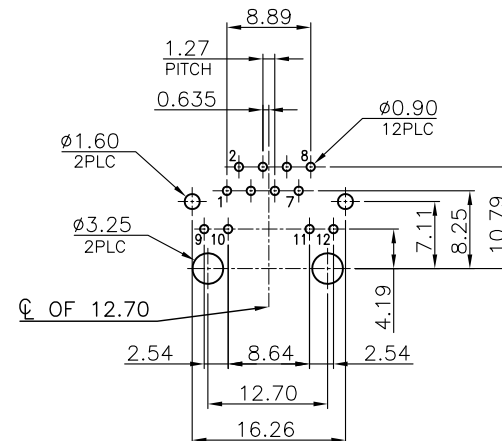
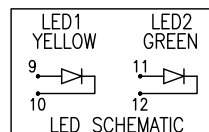
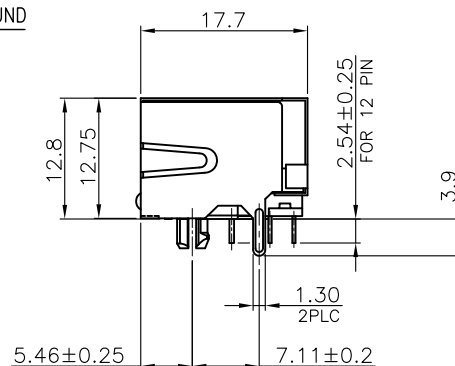
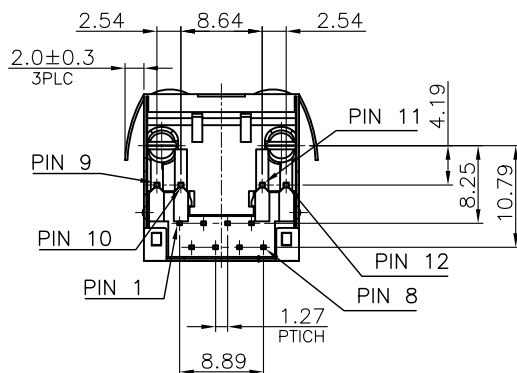
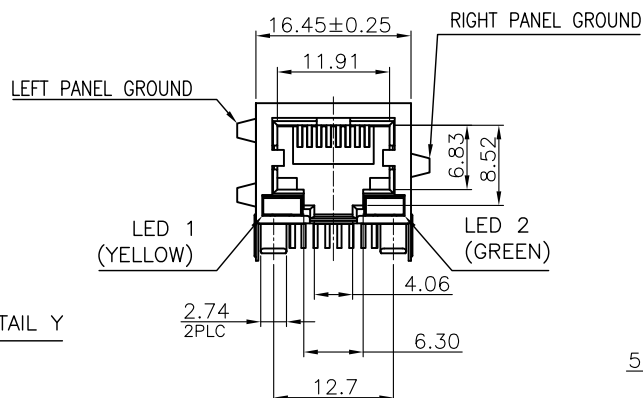


DETAIL Y
SCALE 2:1



RECOMMENDED PCB LAYOUT
RECOMMENDED PCB THICKNESS: 1.6mm
TOLERANCE: 0.05 (TOP VIEW)

NOTE:

CAVITY CONFORMS TO FCC RULES AND REGULATIONS PART 68, SUBPART F.

1. MATERIAL:

- 1.1 HOUSING: PA46, WITH GLASS FIBER, UL94V-0, STANDARD COLOR-BLACK.
- 1.2 INSERT HOUSING: PA46, WITH GLASS FIBER, UL94V-0, STANDARD COLOR-BLACK.
- 1.3 INSERT COVER: PA46, WITH GLASS FIBER, UL94V-0, STANDARD COLOR-BLACK.
- 1.4 CONTACTS: PHOSPHOR BRONZE.
- 1.5 SHELL: BRASS.
- 1.6 LED SOLDER TAIL: STEEL.
- 1.7 MYLAR: SILICONE PLOYMER.

2. FINISH:

- 2.1 CONTACTS: 1.27µm [50µ"] GOLD PLATED ON CONTACT AREA, 2.54µm [100µ"] TIN ON SOLDER TAIL, 1.27µm [50µ"] MIN. NICKEL UNDERPLATED OVERALL.
- 2.2 SHELL: 0.508µm [20µ"] MIN. NICKEL PLATED.
- 2.3 LED SOLDER TAIL: 2.032µm [80µ"] MIN. TIN PLATED.

RoHS Compliant

TOLERANCES ARE

MORETHANALL
PCB CONNECTORS
Cable ASSEMBLIES

DRAWING BY CY

CHECKED BY GENIUS

UNIT / mm

SCALE 1:1

DATE

SIZE A4

P PROJECTION

X, ±
.X ± 0.25
.XX ± 0.13
.XXX ± 0.05
ANG ±

照片框

ORDER INFORMATION

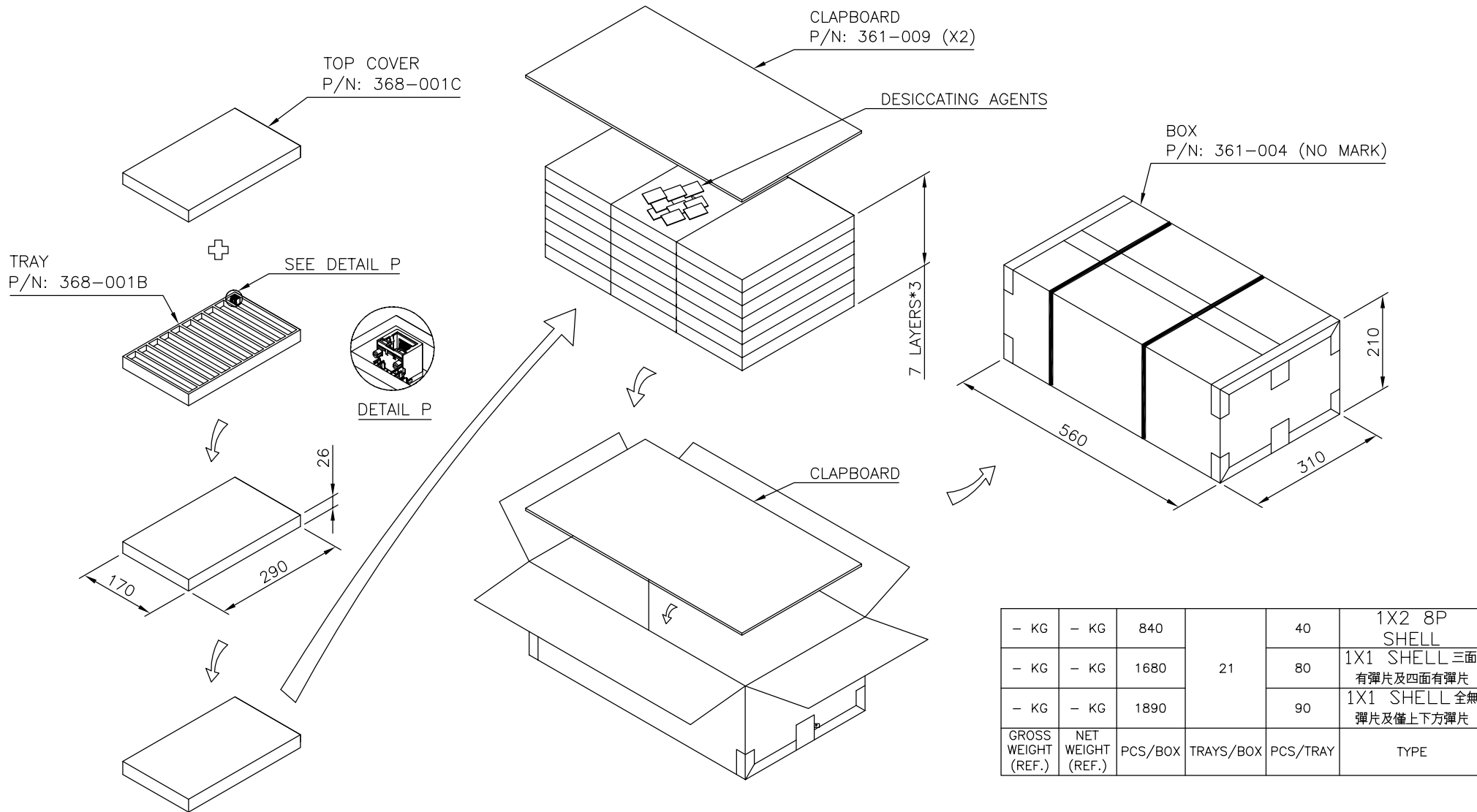
MJF12L-KS06B7YG-0808-LF

SERIES | | | | | LEADFREE
BLACK | | | | | 8P8C
| | | | | YELLOW / GREEN
| | | | | REAR TAB 7.11mm
| | | | | 06u" GOLD
| | | | | SPRING

DESCRIPTION: STACKED RJ45 BOTTOM PART CONNECTOR, W/LED'S, SHIELDED, THRU HOLE

煜倫股份有限公司

www.morethanall.com



- KG	- KG	840	21	40	1X2 8P SHELL
- KG	- KG	1680		80	1X1 SHELL 三面有彈片及四面有彈片
- KG	- KG	1890		90	1X1 SHELL 全無彈片及僅上下方彈片
GROSS WEIGHT (REF.)	NET WEIGHT (REF.)	PCS/BOX	TRAYS/BOX	PCS/TRAY	TYPE

RoHS Compliant

TOLERANCES ARE

MORETHANALL
PCB CONNECTORS
Cable ASSEMBLIES

DRAWING BY CY

X, ±
.X ± 0.25
.XX ± 0.13
.XXX ± 0.05
ANG ±

CHECKED BY GENIUS

UNIT / mm SCALE 1 : 1

DATE

SIZE A4

PJECTION

照片框

ORDER INFORMATION

MJF12L-KS06B7YG-0808-LF

SERIES | | | | | LEADFREE
| | | | | 8P8C
| | | | | YELLOW / GREEN
| | | | | REAR TAB 7.11mm
BLACK | | | | | 06u" GOLD
| | | | | SPRING

DESCRIPTION: TRAY PACKAGE

煜倫股份有限公司

www.morethanall.com