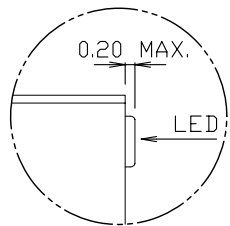
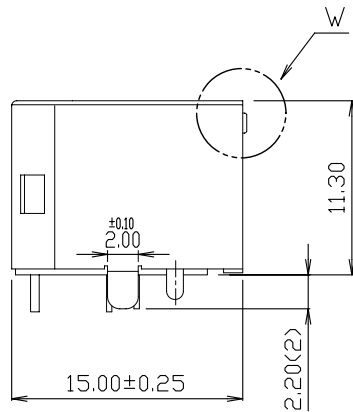
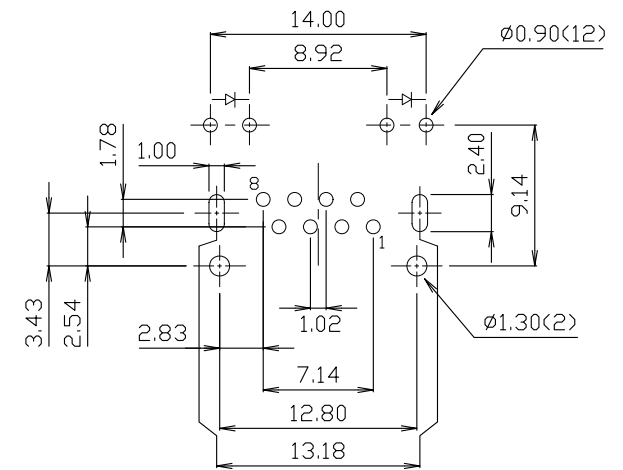
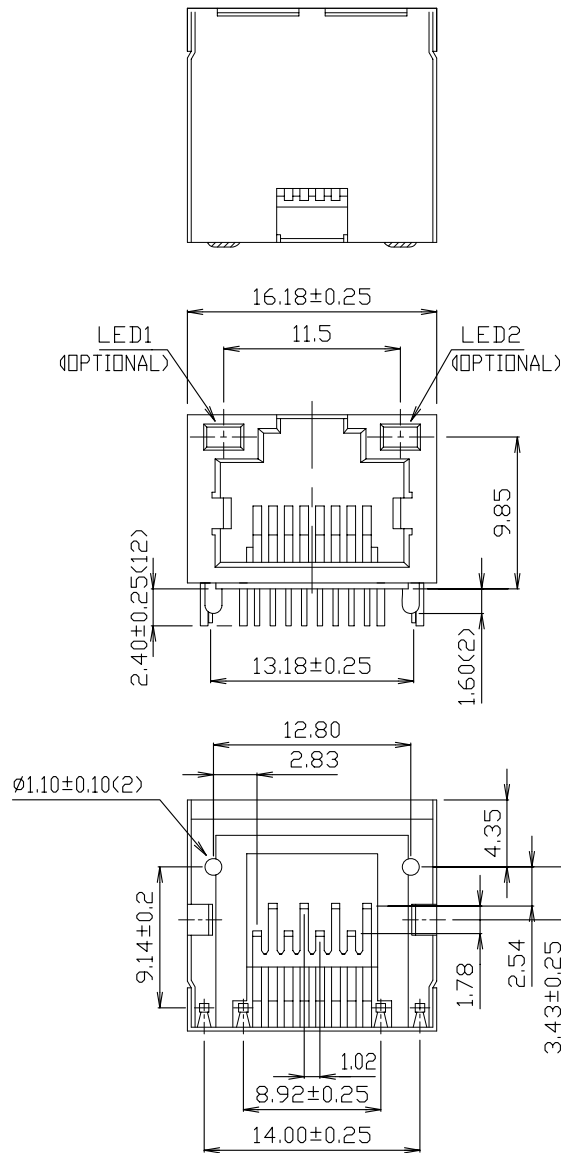


MATERIAL:

HOUSING-DSM STANYL TE250F6 (NYLON-46)
 HEAT DEFLECTION TEMP.290°
 BLACK COLOR, UL94V-0
 CONTACTS-0.35mm THICK PHOS-BRONZE PLATED
 WITH HARD GOLD AND GOLD FLASH IN
 SOLDER AREA.
 SHIELD-0.25mm THICK COPPER ALLOY,
 PLATED WITH NICKEL.
 CAVITY CONFIRMS TO FCC RULES AND REGULATIONS
 PART 68,SUBPART F.



DETAIL W



PCB LAYOUT
Ref.

RoHS Compliant

TOLERANCES ARE

MORETHANALL
PCB CONNECTORS
Cable ASSEMBLIES

煜倫股份有限公司

www.morethanall.com

DRAWING BY CY		X, ± .X ± .XX ± .XXX ± ANG ±
CHECKED BY GENIUS		
UNIT / mm	SCALE 1 : 1	
DATE		
SIZE A4	PPOJECTION	

照片框

ORDER INFORMATION

MJF11UL-KX50B3xx-0808

SERIES	LED1 / LED2	8P8C
BLACK	GG:GREEN / GREEN	
NON EAR	YG:YELLOW / GREEN	
	REAR TAB 3.43mm	
	50u" GOLD	

DESCRIPTION: RJ45 RECEPTACLE CONNECTOR