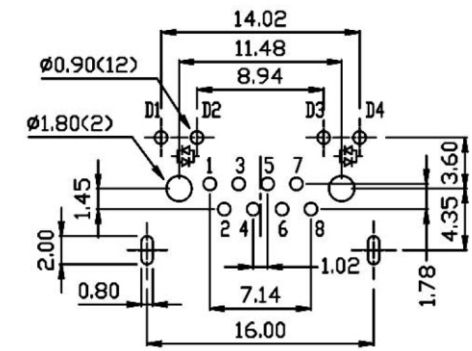
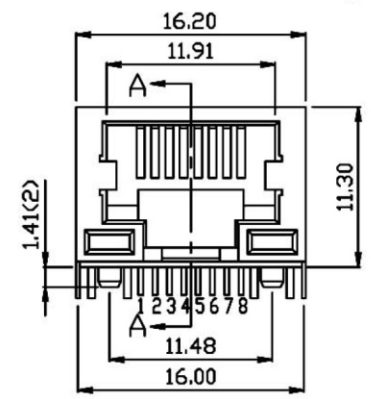
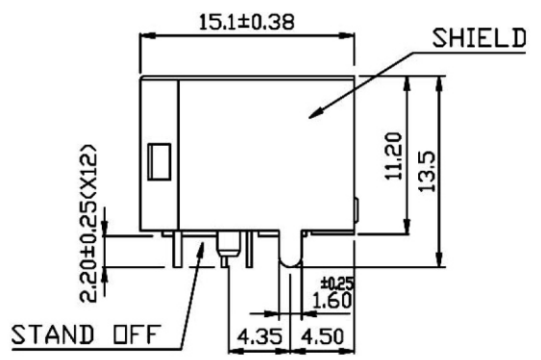
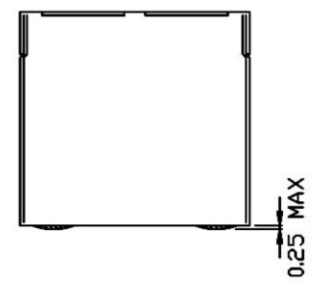
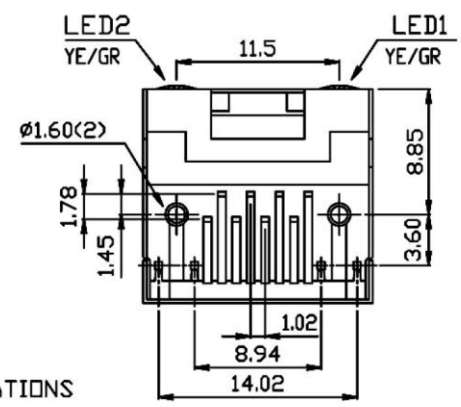


SEC A-A



SUGGESTED PCB LAYOUT
TOP VIEW

- NOTES:
- MATERIALS:
 - HOUSING-PBT POLYESTER UL94V-0 MIXED GLASS FIBER. STANDARD COLOR-BLACK
 - CONTACTS -0.45mm DIM. PHOS-BRONZE PLATED WITH 6u" GOLD.
 - MATEL SHIELD-0.25mm THICK COPPER ALLOY, PLATED WITH NICKEL.
 - CAVITY CONFIRMS TO FCC RULES AND REGULATIONS PART 68,SUBPART F.
 - UNSPECIFIED TOLERANCE: .XX ±0.25[0.010]
.X ±0.30[0.012]



RoHS Compliant



PART NO. MJF11L-KX06A4YGYG-0808

DWG NO. MJF11L-KX06A4YGYG-0808

FILE NO.

CHECKED BY CY

DRAWING BY

TOLERANCES ARE
.X ± 0.2
.XX ±
.XXX ±
AWG

DESCRIP TION:

煜倫股份有限公司

UNIT / mm

SCALE 1:1

PROJECTION

AREA

REVISIONS

HK

DATE