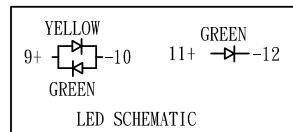
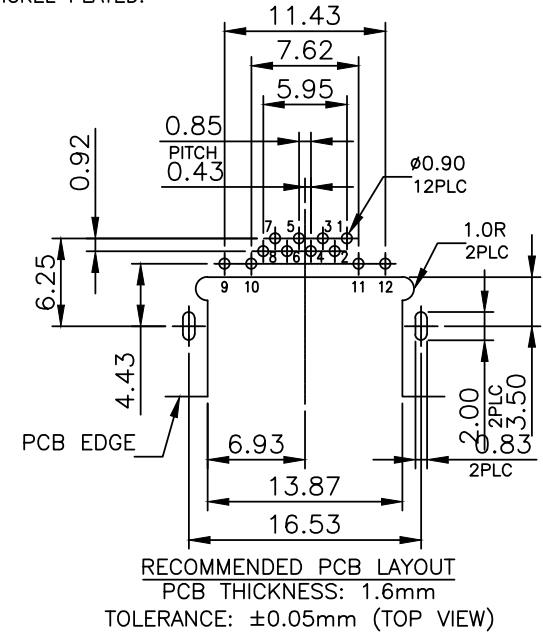
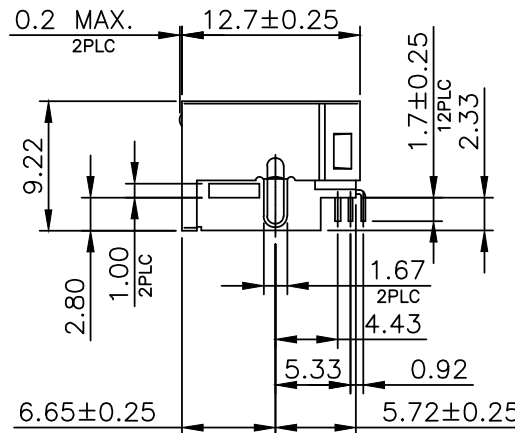
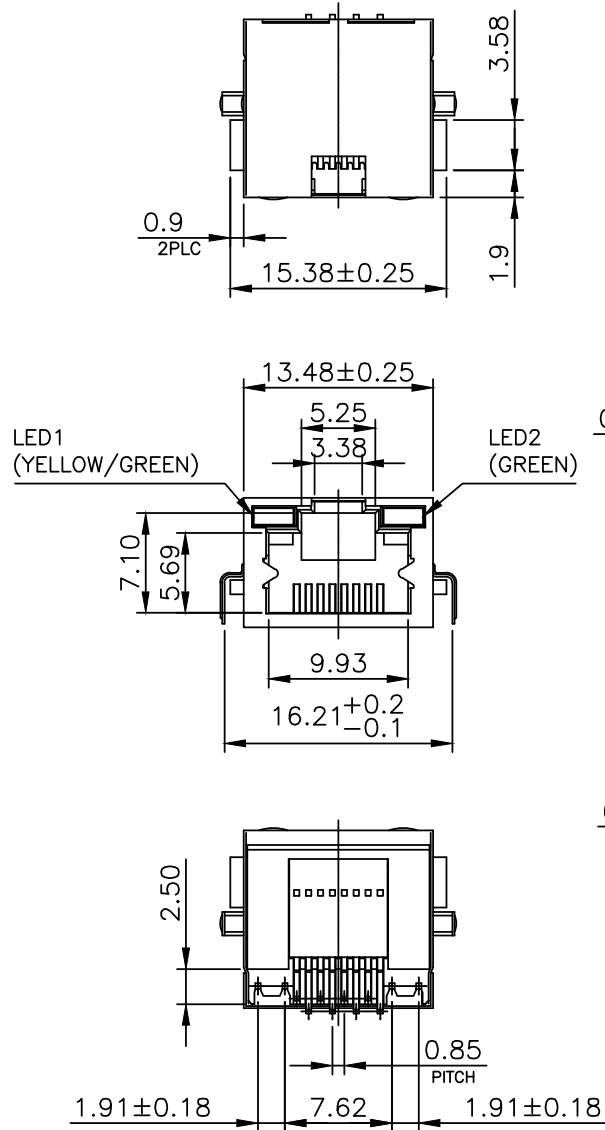


NOTE:
CAVITY CONFIRMS TO FCC RULES AND REGULATIONS PART 68, SUBPART F.

1. MATERIAL:
 1.1 HOUSING: PA9T, WITH GLASS FIBER, UL94V-0, STANDARD COLOR-BLACK.
 1.2 INSERT HOUSING: PA9T, WITH GLASS FIBER, UL94V-0, STANDARD COLOR-BLACK.
 1.3 CONTACTS: PHOSPHOR BRONZE.
 1.4 LED SOLDER TAIL: STEEL.
 1.5 SHELL: BRASS.

2. FINISH:
 2.1 CONTACTS: 0.152mm [6m"] GOLD PLATED ON CONTACT AREA, GOLD FLASH ON SOLDER TAIL, 1.27mm [50m"] MIN. NICKEL UNDERPLATED OVERALL.
 2.2 LED SOLDER TAIL: 2.032mm [80m"] MIN. TIN PLATED.
 2.3 SHELL: 0.508mm [20m"] MIN. NICKEL PLATED.



RoHS Compliant

TOLERANCES ARE

MORETHANALL
PCB CONNECTORS
Cable ASSEMBLIES

DRAWING BY CY

X. ±

CHECKED BY GENIUS

.X ± 0.25

UNIT / mm

SCALE 1 : 1

.XX ± 0.15

.XXX ± 0.05

ANG ±

DATE

SIZE A4

PJECTION

照片框

ORDER INFORMATION

MJF06UL-KX06M1YGGX-0808-LF

SERIES

LEADFREE

BLACK
NON EAR

8P8C

LED1

YELLOW.GREEN/ GREEN.X

METAL FOOT

06u" GOLD

LED2

www.morethanall.com

DESCRIPTION: