

Recommended PCB Layout

Notes:

Metal Shell : Copper Alloy, Finish: 30u" Nickel

Housing : Thermoplastic,PBT,UL 94V-0,Black

Insert : Thermoplastic,PBT,UL 94V-0,Black

Contact Terminal/phosphor Bronze  
6u" Gold on Contact Area, 100u" Tin on Solder,  
Both over 50u" Nickel Under-Plated

Coil Base : Phenolic,PBT,UL 94V-0,Black

Terminal/Copper Alloy T=0.40X0.40mm Thickness

Meets or exceeds IEEE 802.3 standard for 10/100/1000 Base-TX  
350uH minimum OCL with 8mA Bias current

Available with or without LEDs

Minimum 1500Vrms isolation per IEEE802.3 requirement

Operating temperature -40°C to +85°C

Storage temperature -40°C to +85°C

LED ELECTRICAL CHARACTERISTIC				
Standard LED	Wavelength	Forward V (Min/Max)	Forward A	Type
Green	568nm	1.8v/2.8v	20mA	squareness
Yellow	585nm	1.8v/2.8v	20mA	squareness



LEFT LED



RIGHT LED

RoHS Compliant

TOLERANCES ARE



煜倫股份有限公司

www.morethanall.com

DRAWING BY CY

CHECKED BY GENIUS

UNIT / mm SCALE 1 : 1

DATE

SIZE A4

X, ±  
.X ± 0.30  
.XX ± 0.20  
.XXX ± 0.10  
ANG ± 2°

PPOJECTION

照片框

ORDER INFORMATION

MJDSF13T110UL-KX06B3GY-0808

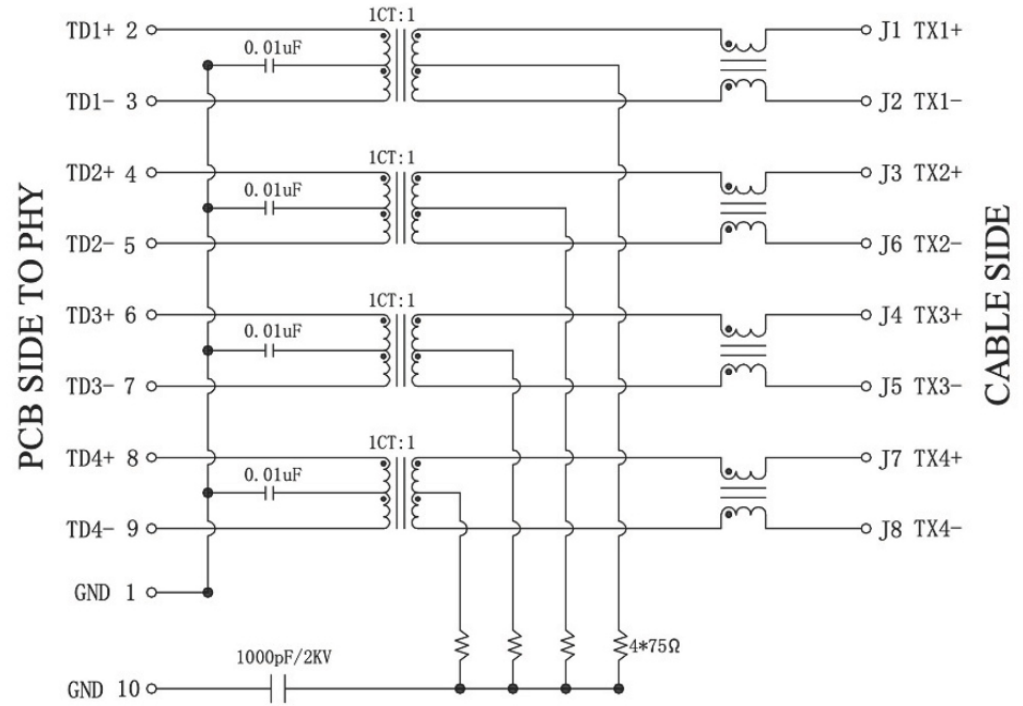
SERIES

8P8C  
LEFT : GREEN / RIGHT : YELLOW  
REAR TAB 3.05mm  
06u" GOLD  
NON EAR  
BLACK

DESCRIPTION:

ELECTRICAL SPECIFICATIONS@25°C UNLESS OTHERWISE NOTED:

- 1. Turn Ratio(+/-2%):1CT:1CT
- 2. Inductance OCL:  
350uH Min @100KHz 0.1V DC BIAS 8mA
- 3. Insertion Loss:  
-1.0dB Max @1.0-100MHz
- 4. Return Loss:  
-20dB Min @1-10MHz  
-16dB Min @10-30MHz  
-12dB Min @30-60MHz  
-10dB Min @60-100MHz
- 5. Cross talk:  
-40dB Min @1-30MHz  
-35dB Min @30-60MHz  
-30dB Min @60-100MHz
- 6. Common Mode Rejection:  
-35dB Min @1-100MHz  
-20dB Min @50-150MHz
- 7. HIPOT TEST:1500Vrms 1mA.Max



RoHS Compliant

TOLERANCES ARE

**MORETHANALL**  
PCB CONNECTORS  
Cable ASSEMBLIES

DRAWING BY CY

CHECKED BY GENIUS

UNIT / mm SCALE 1 : 1

DATE

SIZE A4

X, ±  
.X ± 0.30  
.XX ± 0.20  
.XXX ± 0.10  
ANG ± 2°

PPOJECTION

照片框

ORDER INFORMATION

MJDSF13T110UL-KX06B3GY-0808

SERIES

8P8C

LEFT : GREEN / RIGHT : YELLOW  
REAR TAB 3.05mm

06u" GOLD  
NON EAR  
BLACK

煜倫股份有限公司

www.morethanall.com

DESCRIPTION: