

Recommended PCB Layout

Notes:

Metal Shell :Copper Alloy, Finish: 30u" Nickel

Housing :Thermoplastic,PBT,UL 94V-0,Black

Insert :Thermoplastic,PBT,UL 94V-0,Black

Contact Terminal/phosphor Bronze

6u" Gold on Contact Area, 100u" Tin on Solder,

Both over 50u" Nickel Under-Plated

Coil Base :Phenolic,PBT,UL 94V-0,Black

Terminal/Copper Alloy T=0.40X0.40mm Thickness

Meets or exceeds IEEE 802.3 standard for 10/100/1000 Base-TX
350uH minimum OCL with 8mA Bias current

Available with or without LEDs

Minimum 1500Vrms isolation per IEEE802.3 requirement

Operating temperature -40°C to +85°C

Storage temperature -40°C to +85°C

LED ELECTRICAL CHARACTERISTIC



LEFT LED



RIGHT LED

| Standard LED | Wavelength | Forward V (Min/Max) | Forward A | Type |
|--------------|------------|---------------------|-----------|------------|
| Green | 568nm | 1.8V/2.8V | 20mA | squareness |
| Yellow | 585nm | 1.8V/2.8V | 20mA | squareness |

RoHS Compliant

TOLERANCES ARE



煜倫股份有限公司

www.morethanall.com

DRAWING BY CY

CHECKED BY GENIUS

UNIT / mm SCALE 1 : 1

DATE

SIZE A4

X, ±
.X ± 0.30
.XX ± 0.20
.XXX ± 0.08
ANG ± 2°

PJECTION

照片框

ORDER INFORMATION

MJDSF13T001UL-KX06B3GY-0808

SERIES

8P8C

LEFT :GREEN / RIGHT :YELLOW

REAR TAB 3.05mm

06u" GOLD

NON EAR

BLACK

DESCRIPTION: Rj45 10/100 Base-t vertical type w/led jack

ELECTRICAL SPECIFICATIONS@25°C UNLESS OTHERWISE NOTED:

1.Turn Ratio(+/-2%):1CT:1CT

2.Inductance OCL:

350uH Min @100KHz 0.1V DC BIAS 8mA

3.Insertion Loss:

-1.0dB Max @1.0-100MHz

4.Return Loss:

-20dB Min @1-10MHz

-16dB Min @10-30MHz

-12dB Min @30-60MHz

-10dB Min @60-100MHz

5.Cross talk:

-40dB Min @1-30MHz

-35dB Min @30-60MHz

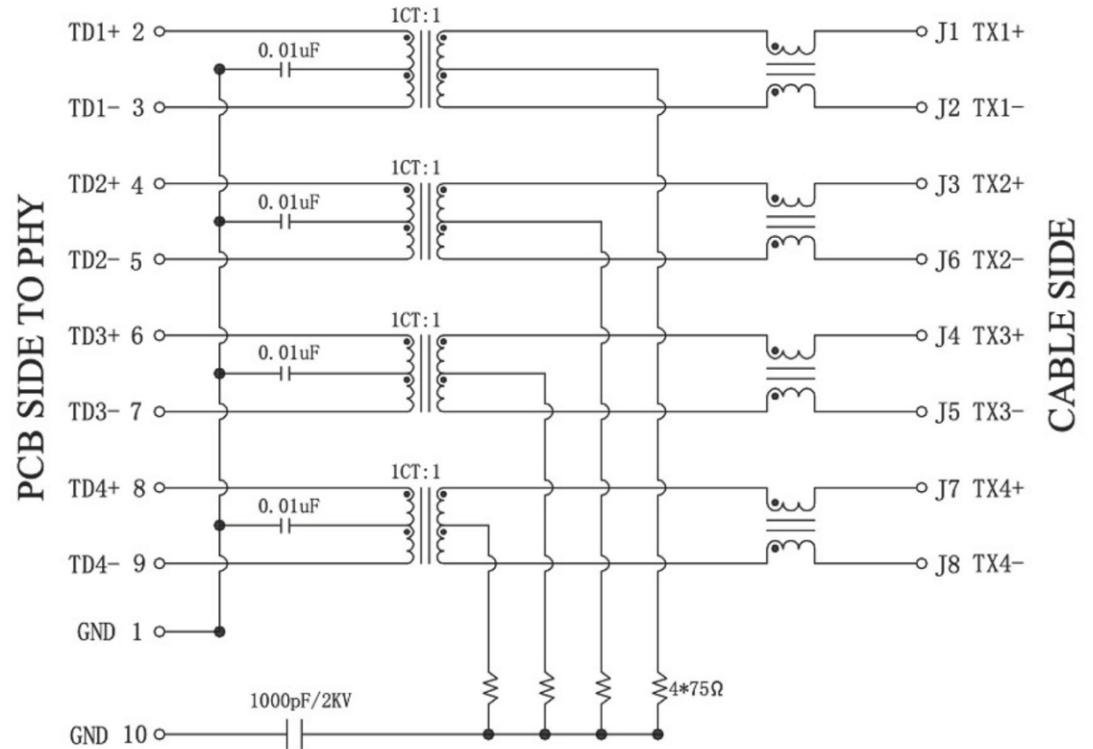
-30dB Min @60-100MHz

6.Common Mode Rejection:

-35dB Min @1-100MHz

-20dB Min @50-150MHz

7.HIPOT TEST:1500Vrms 1mA.Max



RoHS Compliant

TOLERANCES ARE

MORETHANALL
PCB CONNECTORS
Cable ASSEMBLIES

DRAWING BY CY

X, ±

CHECKED BY GENIUS

.X ± 0.30

UNIT / mm

SCALE 1 : 1

.XX ± 0.20

.XXX ± 0.08

ANG ± 2°

DATE

SIZE A4

P PROJECTION

照片框

ORDER INFORMATION

MJDSF13T001UL-KX06B3GY-0808

SERIES

8P8C

LEFT : GREEN / RIGHT : YELLOW

REAR TAB 3.05mm

06u" GOLD

NON EAR

BLACK

煜倫股份有限公司

www.morethanall.com

DESCRIPTION: Rj45 10/100 Base-t vertical type w/led jack