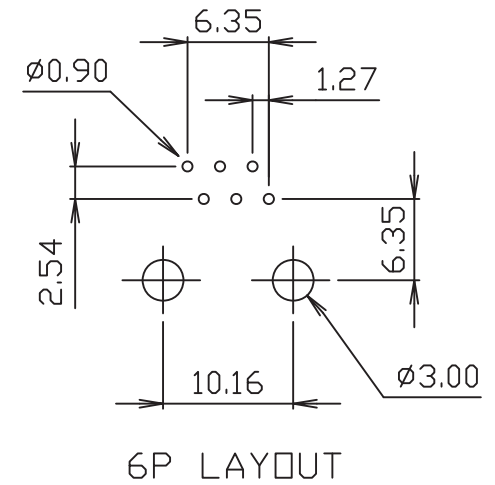
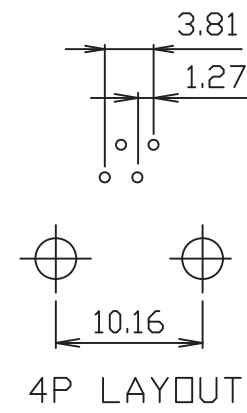
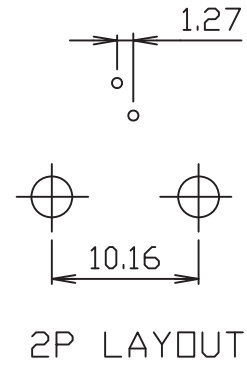
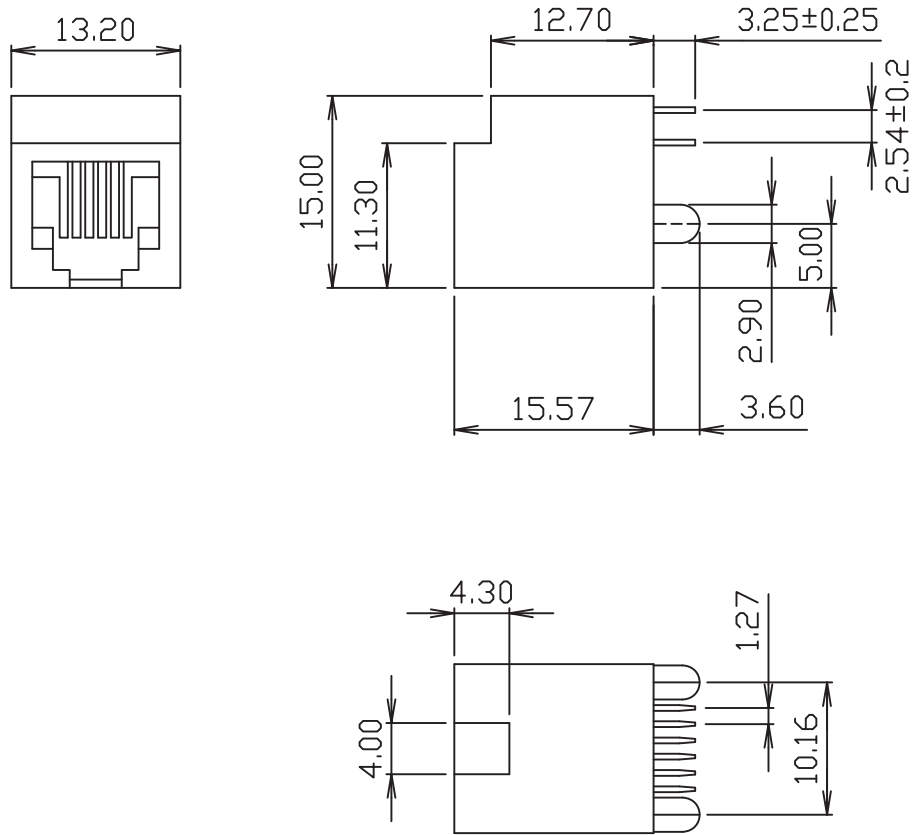


MATERIAL: HOUSING-PBT POLYESTER UL94V-0
 MIXED GLASS FIBER.
 STANDARD COLOR-BLACK
 CONTACTS-0.45mm DIAMETER PHOS-BRONZE
 PLATED WITH HARD GOLD.
 CAVITY CONFORMS TO FCC RULES AND REGULATIONS
 PART 68,SUBPART F.



PC Board Layout



RoHS Compliant		TOLERANCES ARE	
DRAWING BY CY		X.±	
CHECKED BY GENIUS		.X±	
UNIT / mm	SCALE 1:1	.XX±	
DATE		.XXX±	
SIZE A4	PJECTION	ANG±	

MORETHANALL
 PCB CONNECTORS
 Cable ASSEMBLIES
 煜倫股份有限公司
 www.morethanall.com

ORDER INFORMATION

MJDS12-KX06-xxxx-LF
 SERIES | LEADFREE
 0602:6P2C
 0604:6P4C
 0606:6P6C
 BLACK | 06u" GOLD
 NON EAR

DESCRIPTION: 6POSITION (L PEGS) TOP ENTRY PCB JACK