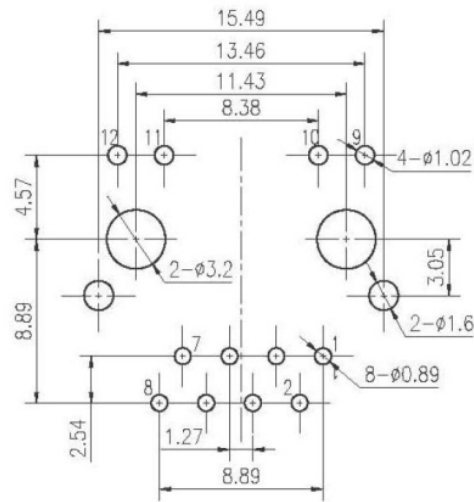
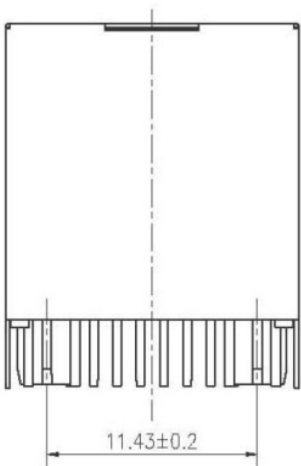
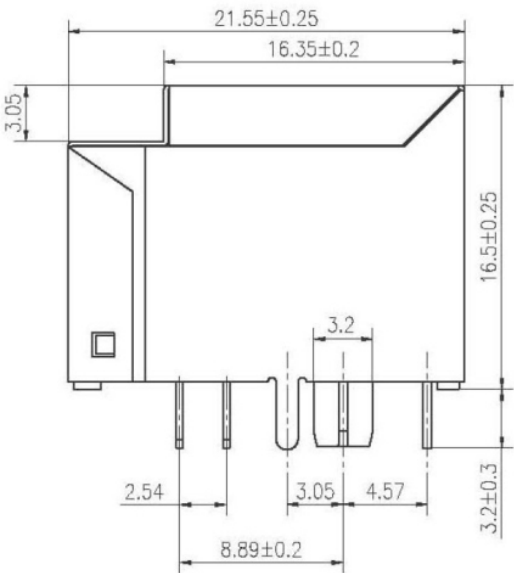
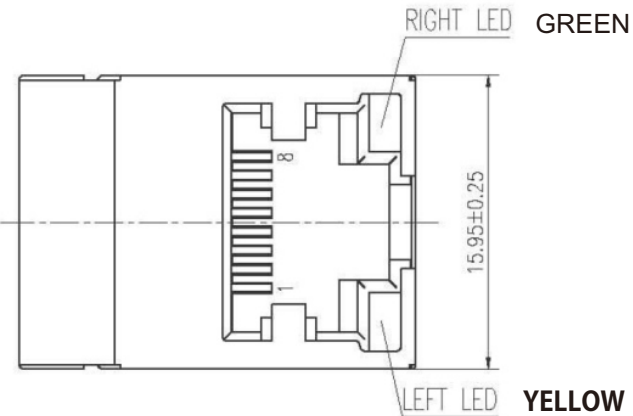


Notes:  
 Material  
 Housing: PBT UL94V-0 Black color  
 Contact: Phos Bronze, Au 6u" plated on contact area over Ni overall  
 Shield: Copper alloy, Ni 30u" plated overall  
 Solder tail: Copper alloy, Tin 100u" plated over Ni overall



PCB BOARD LAYOUT

RoHS Compliant

TOLERANCES ARE

**MORETHANALL**  
 PCB CONNECTORS  
 Cable ASSEMBLIES

DRAWING BY CY

CHECKED BY GENIUS

UNIT / mm

SCALE 1 : 1

DATE

SIZE A4

PJECTION

X, ±  
 .X ± 0.30  
 .XX ± 0.20  
 .XXX ± 0.10  
 ANG ±

照片框

ORDER INFORMATION

MJDFS13T03UL-KX06B3GY-0808-LF

SERIES

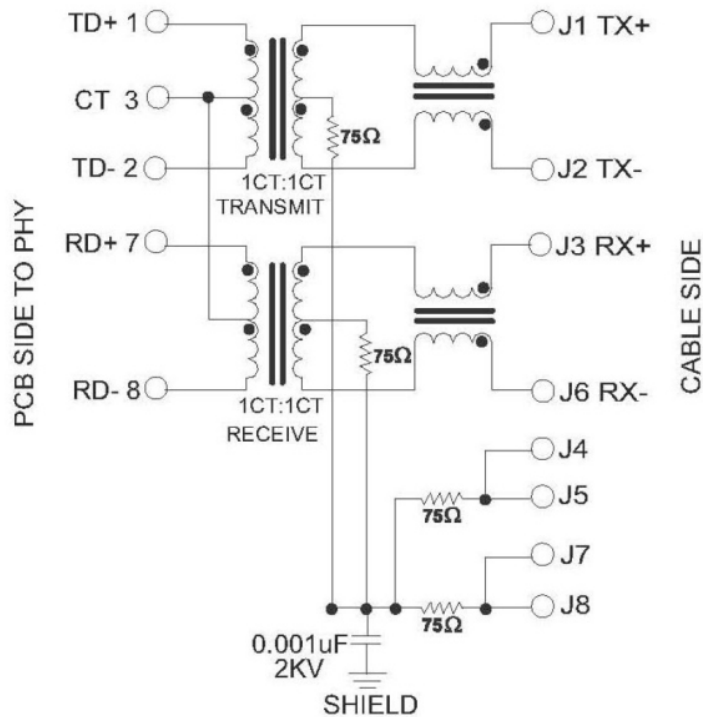
BLACK NON EAR  
 06u" GOLD  
 REAR TAB 3.05mm  
 RIGHT GREEN / YELLOW  
 LEFT  
 8P8C  
 LEADFREE

DESCRIPTION:

煜倫股份有限公司

www.morethanall.com

# Schematics



ELECTRICAL SPECIFICATIONS @ 25°C unless otherwise noted:

- Insertion Loss: 1-100MHZ -1.0dB MAX
- Return Loss: 1-30MHZ -16.0dB MIN  
30-60MHZ -14.0dB MIN  
60-80MHZ -10.0dB MIN
- Cross Talk: 1-30MHZ -40.0dB MIN  
30-60MHZ -35.0dB MIN  
60-80MHZ -30.0dB MIN
- CMR: 1-100MHZ -35.0dB MIN
- Hi-Pot: 1500v AC 6S 1mA
- Turn Ratio: 1CT:1CT+/-3%
- OCL:350uH MIN @ 100KHZ 100mV 8mA DC

RoHS Compliant

TOLERANCES ARE

**MORETHANALL**  
PCB CONNECTORS  
Cable ASSEMBLIES

DRAWING BY CY

CHECKED BY GENIUS

UNIT / mm

SCALE 1 : 1

DATE

SIZE A4

PJECTION

X, ±  
.X ± 0.30  
.XX ± 0.20  
.XXX ± 0.10  
ANG ±

照片框

ORDER INFORMATION

MJDFS13T03UL-KX06B3GY-0808-LF

SERIES

LEADFREE  
8P8C  
RIGHT LEFT  
GREEN / YELLOW  
REAR TAB 3.05mm  
06u" GOLD  
BLACK  
NON EAR

煜倫股份有限公司

www.morethanall.com

DESCRIPTION: