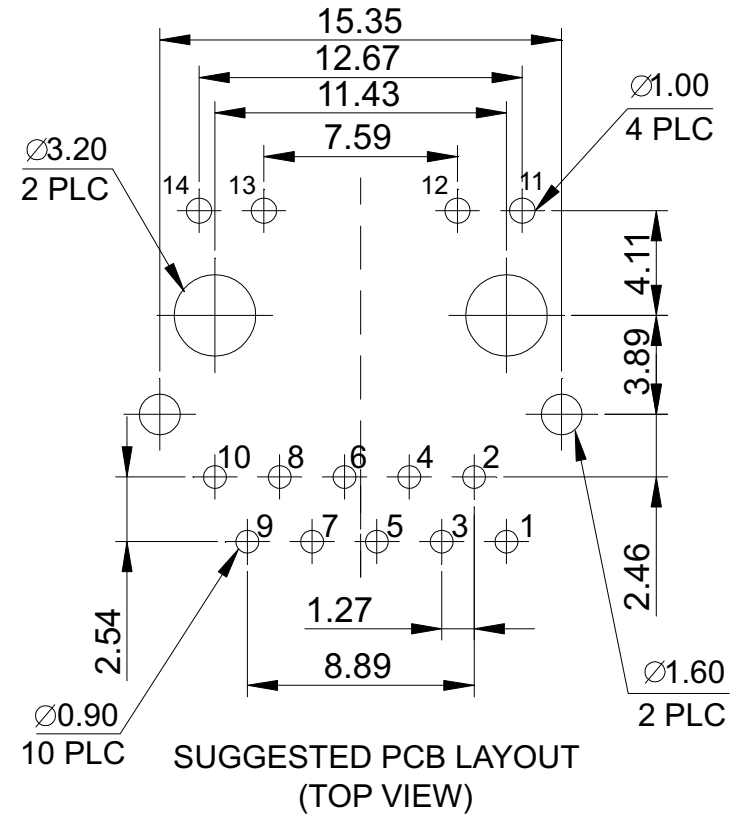
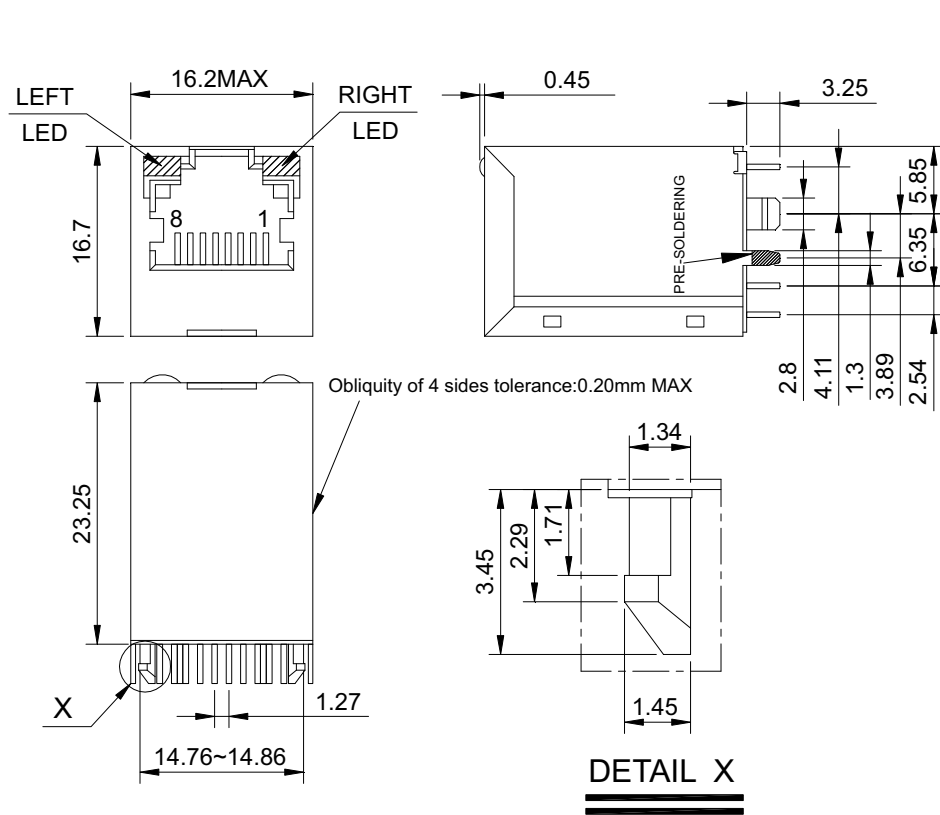


一、Mechanical Dimensions



UNIT:mm Unless otherwise specified,all tolerances are ± 0.25

RoHS Compliant

TOLERANCES ARE

MORETHANALL
PCB CONNECTORS
Cable ASSEMBLIES
煜倫股份有限公司
www.morethanall.com

DRAWING BY CY		X. \pm .X \pm .XX \pm .XXX \pm ANG \pm
CHECKED BY GENIUS		
UNIT / mm	SCALE 1 : 1	
DATE		
SIZE A4	P PROJECTION	

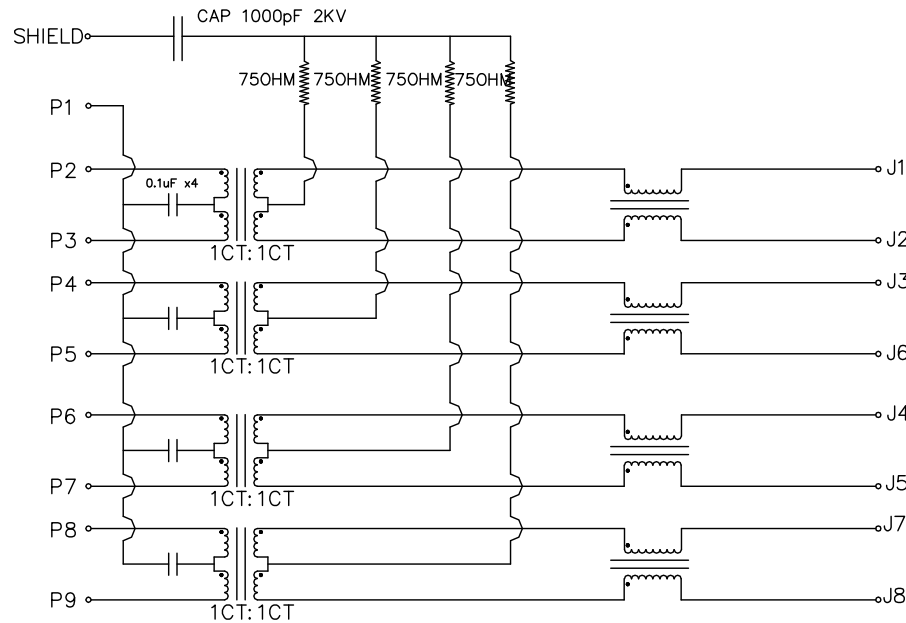


ORDER INFORMATION

MJDF23T001UL-KX06B38YG-0808-LF
SERIES | 8P8C | LEADFREE
BLACK | LEFT | YELLOW / GREEN
NON EAR | REAR TAB 3.89mm
06u" GOLD

DESCRIPTION: 180° RJ45 1000 BASE-T JACK WITH MAGANETIC MODULE

二、Schematics



Standard LED	Wavelength	Forward*V(MAX)	TYP
Green	565nm	2.4v	2.2v
Yellow	590nm	2.5v	2.1v

With a forward current of 20mA

三、ELECTRICAL SPECIFICATIONS@25°C:

- Turn Ratio($\pm 5\%$)(P2-P3):(J1-J2)=1:1
 (P 4- P5) : (J3-J6)=1:1
 (P 6- P7) : (J4-J5)=1:1
 (P 8- P9) : (J7-J8)=1:1
- Pri Inductance (100KHz/0.1V@8mA): 350uH MIN
- DCR:1.2 Ω MAX
- Insertion Loss(dB MAX): -1.0dB(1-100MHz);1.2dB(100-125MHz)
- Return Loss (dB MIN):-16dB(1-40MHz),-12dB(40-60MHz),0dB(60-80MHz)
 - 8 d B (8 0 - 1 0 0 MHz)
- Cross talk (dB MIN): -30dB(1-100MHz)
- CMA(dB MIN): -30dB(1-100MHz)
- Isolation:PHY Side to Line Side: 2250VDC
- Operating Temperature: -40°C ~ +85°C
- RoHS compliance: YES

RoHS Compliant

TOLERANCES ARE

MORETHANALL
PCB CONNECTORS
Cable ASSEMBLIES

煜倫股份有限公司

www.morethanall.com

DRAWING BY CY

CHECKED BY GENIUS

UNIT / mm SCALE 1 : 1

DATE

SIZE A4

P PROJECTION

X. \pm
.X \pm
.XX \pm
.XXX \pm
ANG \pm



ORDER INFORMATION

MJDF23T001UL-KX06B38YG-0808-LF

SERIES

BLACK
NON EAR

8P8C

LEFT

RIGHT

YELLOW / GREEN

REAR TAB 3.89mm

06u" GOLD

LEADFREE

DESCRIPTION:180° RJ45 1000 BASE-T JACK WITH MAGANETIC MODULE

四、Mechanicals

Housing Material:

MATERIAL:NYLON 66 UL94V-0 STANDARD COLOR:BLACK

Insert Material:

MATERIAL:Phos-Bronze C5210 EH---0.35mm Thickness

Insert -PBT GF UL94V-0

- 1.PLATING(1) NICKEL
- 2.PLATING(2) 100%Sn
- 3.PLATING(3) GOLD (3u " ~50u ")

Contact pin Material:

MATERIAL: Phos-Bronze C5191---0.35mm Thickness

- 1.PLATING(1) NICKEL
- 2.PLATING(2) 100%Sn

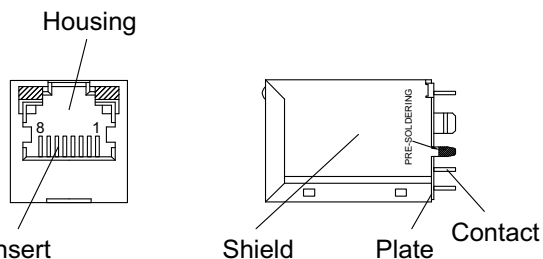
Shielding Material:

BRASS C2680 PLATING NICKEL

Operating Life:750 Cycles MIN.

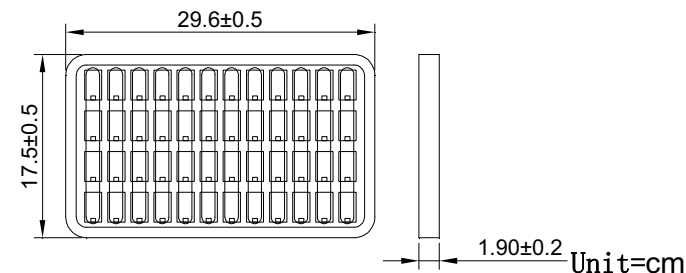
五、Environmental

- 1.Storage Temp:-40°C TO +85°C.
- 2.Operating Temp: -40°C TO +85°C.
3. MATES WITH MODULAR PLUG CONFORMING TO FCC PART 68,SUBPARTF.

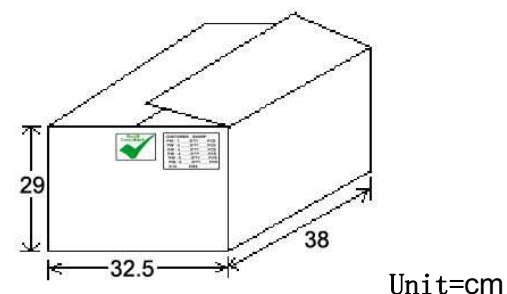


六、Packaging

1. packaging unit : 48PCS/tray
2. packaging material : PET



3. outer carton unit 1056 pcs/ 22 Trays/box
4. Weight: 12.0kg per carton



RoHS Compliant

TOLERANCES ARE

MORETHANALL
PCB CONNECTORS
Cable ASSEMBLIES

煜倫股份有限公司

www.morethanall.com

DRAWING BY CY

CHECKED BY GENIUS

UNIT / mm SCALE 1 : 1

DATE

SIZE A4

PPOJECTION

X. ±
.X ±
.XX ±
.XXX ±
ANG ±



ORDER INFORMATION

MJDF23T001UL-KX06B38YG-0808-LF

SERIES

BLACK
NON EAR

06u" GOLD

8P8C

LEFT

YELLOW / GREEN

REAR TAB 3.89mm

LEADFREE

DESCRIPTION:180° RJ45 1000 BASE-T JACK WITH MAGANETIC MODULE