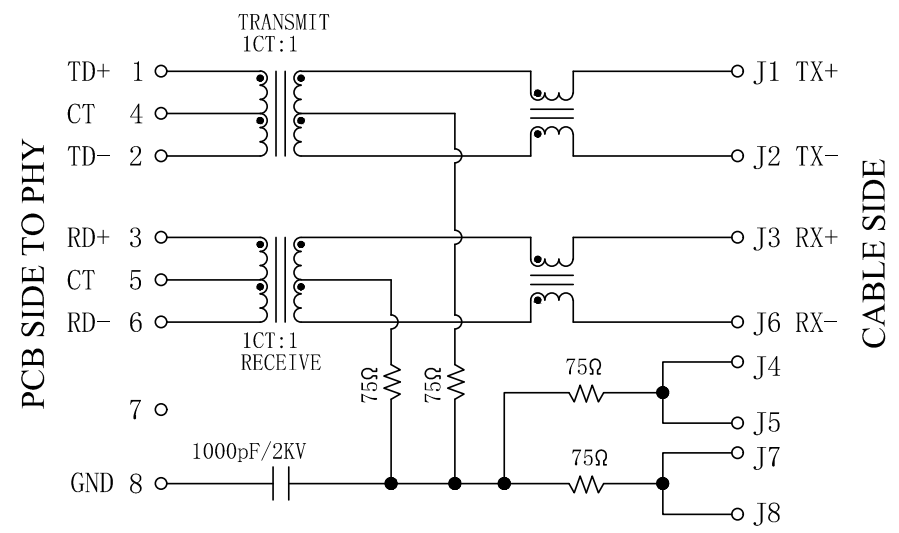


RECOMMENDED PCB LAYOUT VIEWED FROM COMPONENT SIDE



MATERIAL:

- HOUSING : PBT,UL94V-0,BLACK.
- TERMINALS BRACKET: PBT,UL94V-0,BLACK.
- SHIELD: C2680,T=0.20MM,NICKEL PLATING ON ALL AREA.
- TERMINAL: PHOSPHOR BRONZE C5210,T=0.35MM, 6U" GOLD PLATING ON CONTACT AREA.

MECHANICAL:

- DURABILITY : 750 CYCLES MIN.
- MATING FORCE : 23N MAX.
- OPERATING TEMPERATURE: -40°C~+85°C.
- STORAGE TEMPERATURE: -40°C~+85°C.
- ALL CRITICAL DIMENSIONS WITH "*"



煜倫股份有限公司

www.morethanall.com

RoHS Compliant

DRAWING BY CY		TOLERANCES ARE X. ± 0.50 .X ± 0.38 .XX ± 0.25 .XXX ± 0.10 ANG ± 3°
CHECKED BY GENIUS		
UNIT / mm	SCALE 1 : 1	
DATE		
SIZE A4	PJECTION	

照片框

ORDER INFORMATION

MJDF16T45UL-KX06B38YG-0808



DESCRIPTION: