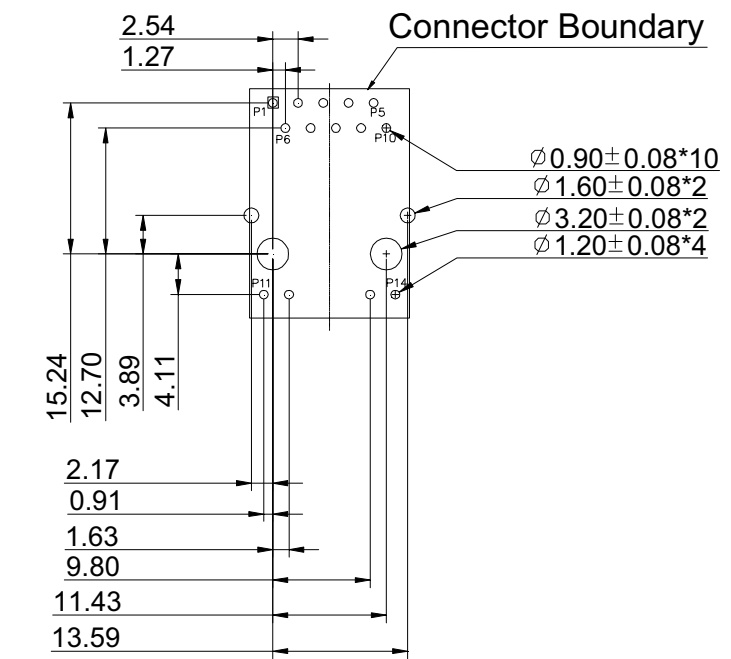
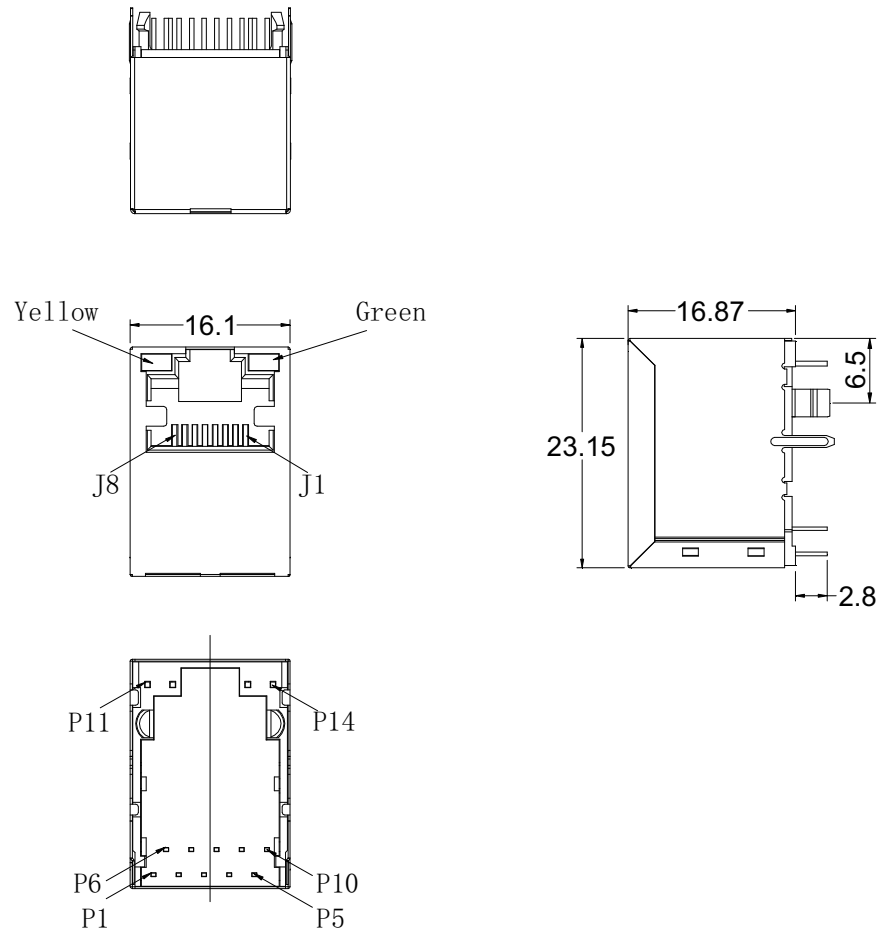


一、Mechanical Dimensions



PC Board Layout
Component Side Shown

UNIT:mm Unless otherwise specified, all tolerances are ± 0.25

RoHS Compliant

TOLERANCES ARE

MORETHANALL
PCB CONNECTORS
Cable ASSEMBLIES
煜倫股份有限公司
www.morethanall.com

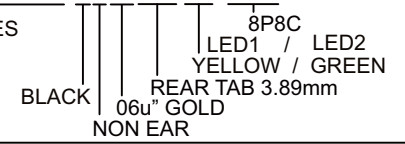
DRAWING BY CY		X. \pm .X \pm .XX \pm .XXX \pm ANG \pm
CHECKED BY GENIUS		
UNIT / mm	SCALE 1 : 1	
DATE		
SIZE A4	P PROJECTION	



ORDER INFORMATION

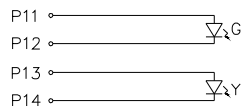
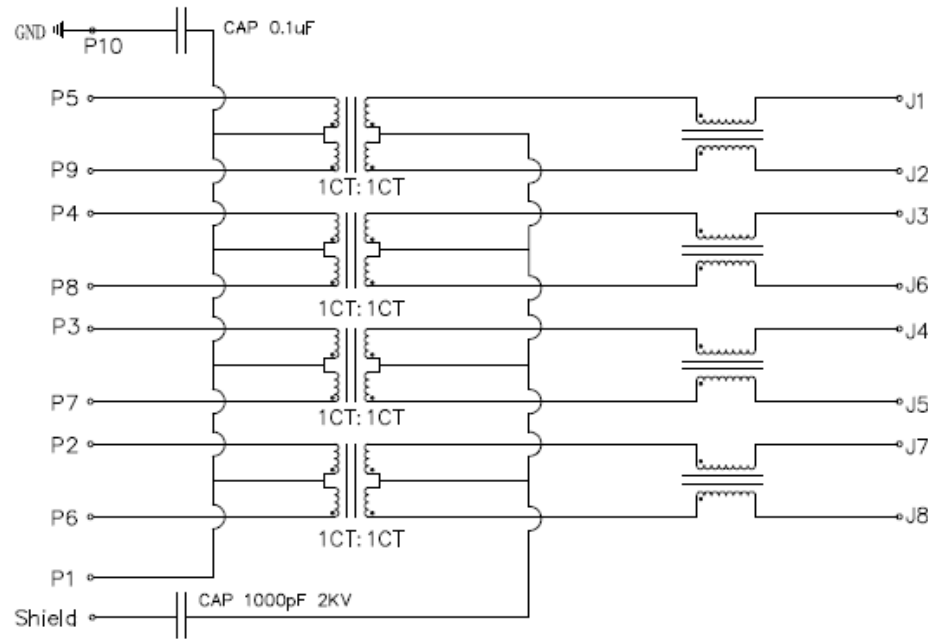
MJDF16T110UL-KX06B38YG-0808

SERIES



DESCRIPTION: RJ45 ICM(1000Base-T 1Port)

二、Schematics



LED SPECIFICATION					
STANDARDLED	WAVELENGTH	Forward Current	Forward V(max)	TYP	
GREEN	565nm	20 mA	2.4V	2.2V	
YELLOW	590nm	20 mA	2.5V	2.1V	

三、ELECTRICAL SPECIFICATIONS@25 °C:

1. Turn Ratio($\pm 5\%$): 1CT:1CT
2. Pri Inductance(100KHz/0.1V@8mA): 350uH MIN.
3. DCR:1.2 Ω MAX
4. Insertion Loss(dB MAX):-1.0dB(1-100MHz), -1.2dB(100-125MHz)
5. Return Loss (dB MIN):-16dB(1-40MHz),-12dB(40-60MHz),-10dB(60-80MHz)
-8dB(80-100MHz)
6. Crosstalk (dB MIN): -30dB(1-100MHz)
7. CMR(dB MIN): -30dB(1-100MHz)
8. HI-POT(Pri to Sec):2250VDC/0.5mA/2Sec
9. Operating Temp: -40°C TO +85°C
10. RoHS compliance:YES

RoHS Compliant

TOLERANCES ARE

MORETHANALL
PCB CONNECTORS
Cable ASSEMBLIES

煜倫股份有限公司

www.morethanall.com

DRAWING BY CY

CHECKED BY GENIUS

UNIT / mm SCALE 1 : 1

DATE

SIZE A4

X, \pm

.X \pm

.XX \pm

.XXX \pm

ANG \pm

PJECTION

照片框

ORDER INFORMATION

MJDF16T110UL-KX06B38YG-0808

SERIES

BLACK 06u" GOLD NON EAR
REAR TAB 3.89mm
8P8C
LED1 / LED2
YELLOW / GREEN

DESCRIPTION: RJ45 ICM(1000Base-T 1Port)

四、Mechanicals

1. CONNECTOR MATERIAL :
 - HOUSING:THERMOPLASTIC BLACK UL94 V-0
 - SHIELD:Brass
 - SHIELD PLATING:NICKEL
 - CONTACT:PHOSPHOR BRONZE
 - CONTACT PLATING:SELECTIVE GOLD, 30 MICRO-INCHS MIN IN CONTACT AREA
2. PIN NOT ELECTRICALLY CONNECTED MAYBE OMITTED SEE ELECTRICAL DRAWING FOR OMITTED PINS
3. RJ45 CAVITIES CONFORM TO FCC RULES AND REGULATION PART 68.
4. THE PART IS RECOMMENDED FOR WAVE SOLDERING PROCESS PEAK SOLDERING TEMPERATURE IS 260° C MAX, 10 SECS MAX
5. OPERATING TEMPERATURE T=-40° C TO +85° C.
6. STORAGE TEMPERATURE T=-40° C TO +85° C.

五、Packaging

- 1.packaging unit : 50 PCS/tray
- 2.outer carton unit 1200 pcs/ 24 Trays/box

RoHS Compliant

TOLERANCES ARE

MORETHANALL
PCB CONNECTORS
Cable ASSEMBLIES

煜倫股份有限公司

www.morethanall.com

DRAWING BY CY

CHECKED BY GENIUS

UNIT / mm

SCALE 1:1

DATE

SIZE A4

X. ±
.X ±
.XX ±
.XXX ±
ANG ±

PPOJECTION 

照片框

ORDER INFORMATION

MJDF16T110UL-KX06B38YG-0808

SERIES

BLACK | 06u" GOLD | NON EAR | REAR TAB 3.89mm | LED1 / LED2 | YELLOW / GREEN | 8P8C

DESCRIPTION: RJ45 ICM(1000Base-T 1Port)