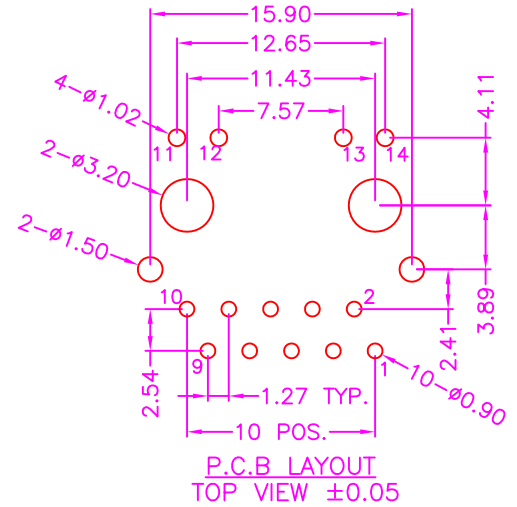
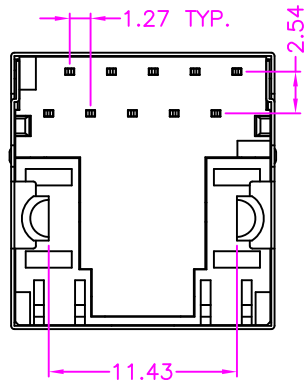
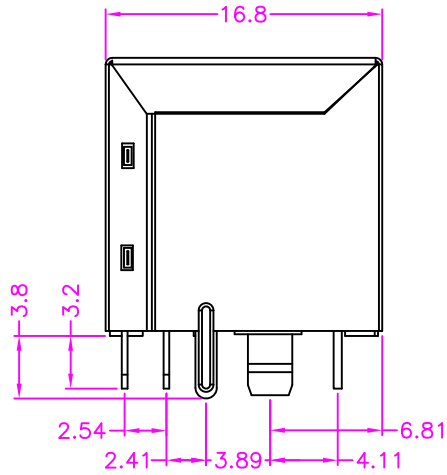
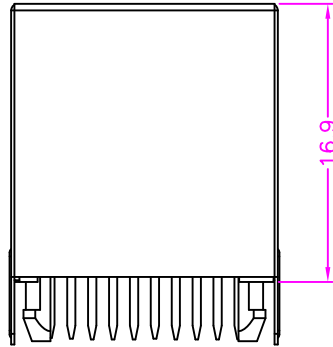


**MATERIALS**

HOUSING: THERMOPLASTIC (UL 94V-0)  
 SHELL: COPPER ALLOY, NICKEL PLATING  
 TERMINAL: COPPER ALLOY, GOLD PLATED ON CONTACT AREA  
 TIN PLATING ON SOLDER TAIL

**SPECIFICATION**

CURRENT RATING: 1.5 AMP MAX  
 DIELECTRIC WITHSTANDING: 500V AC FOR ONE MINUTE  
 CONTACT RESISTANCE: 30m OHMS MAX  
 INSULATION RESISTANCE: 1000M OHMS MIN AT DC 500V  
 OPERATION TEMPERATURE: -40°C~+85°C



LED SCHEMATIC				
LED 1	LED 2	LED 1	LED 2	
11	12	13	14	11
TYPE 1		TYPE 2		

Standard LED	Wavelength	Forward V (Min/Max)	Forward A	Type
GREEN	568nm	1.8v/2.8v	20mA	squareness
YELLOW	585nm	1.8v/2.8v	20mA	squareness
ORANGE	610nm	1.8v/2.8v	20mA	squareness

**TABLE**

LED OPTION			
P/N	LED 1	LED 2	TYPE
YG	YELLOW	GREEN	1
GY	GREEN	YELLOW	1
YO	YELLOW	ORANGE	1
GO	GREEN	ORANGE	1
GG	GREEN	GREEN	1
YY	YELLOW	YELLOW	1
OO	ORANGE	ORANGE	1
YXGY	YELLOW	GREEN/YELLOW	2
GXGY	GREEN	GREEN/YELLOW	2
YXGO	YELLOW	GREEN/ORANGE	2

RJ45 CAVITY CONFIRMS TO FCC RULES AND REGULATIONS PART 68, SUBPART F.

**RoHS Compliant**

TOLERANCES ARE



煜倫股份有限公司

www.morethanall.com

DRAWING BY CY

CHECKED BY GENIUS

UNIT / mm SCALE 1 : 1

DATE

SIZE A4 PPROJECTION

X. ± 0.40  
 .X ± 0.30  
 .XX ± 0.20  
 .XXX ± 0.10  
 ANG ±

照片框

**ORDER INFORMATION**

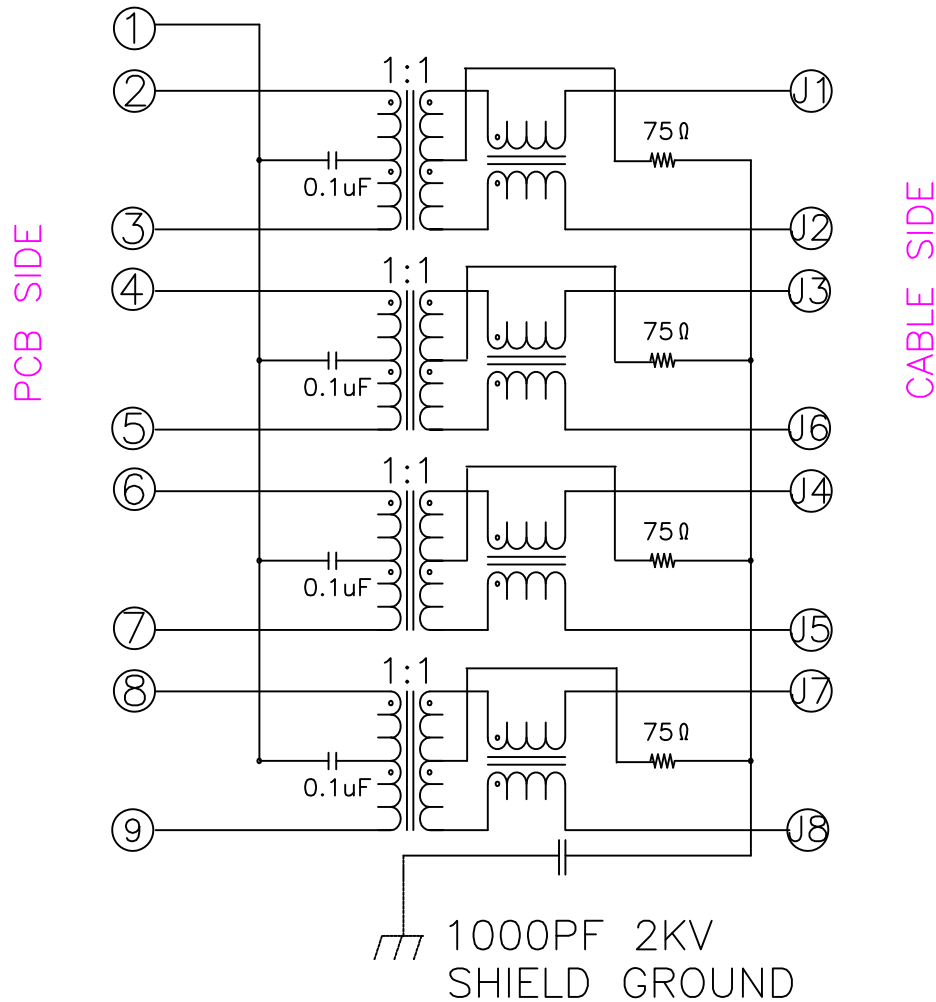
MJDF16T001UL-KX06B38cc-0808

SERIES

8P8C  
 LED1 / LED2  
 YG: YELLOW / GREEN  
 YXGY: YELLOW / GREEN ORANGE  
 REAR TAB 3.89mm  
 BLACK  
 NON EAR  
 06u" GOLD

DESCRIPTION: RJ45, PCB MOUNT, TOP ENTRY METAL SHIELD WITH & LED & TRANSFORMER GIGABIT

## SCHEMATICS



Electrical Specifications: (25°C)

1. Turns Ratio:  
@TX & RX = 1 : 1 ±2%
2. Insertion Loss:  
@1~100 MHz : -1.0 dB Max
3. Return Loss:  
@1~10MHz : -20 dB Min  
@10~30MHz : -16 dB Min  
@30~60MHz : -12 dB Min  
@60~100MHz : -10 dB Min
4. Common Mode Rejection:  
@1~100 MHz : -35 dB Min  
@50~150 MHz : -20 dB Min
5. Cross talk:  
@1~30MHz : -40 dB Min  
@30~60MHz : -35 dB Min  
@60~100MHz : -30 dB Min
6. OCL:  
@100KHz, 0.1V DC, 8mA : 350uH Min
7. Hi-Pot : 1500VAC, 1mA, 1 Sec

**RoHS Compliant**

TOLERANCES ARE

**MORETHANALL**  
PCB CONNECTORS  
Cable ASSEMBLIES

DRAWING BY CY

X ± 0.40

CHECKED BY GENIUS

.X ± 0.30

UNIT / mm

SCALE 1 : 1

.XX ± 0.20

DATE

.XXX ± 0.10

ANG ±

照片框

ORDER INFORMATION

MJDF16T001UL-KX06B38cc-0808

SERIES

8P8C  
LED1 / LED2  
YG: YELLOW / GREEN  
YXGO: YELLOW / GREEN ORANGE  
REAR TAB 3.89mm

BLACK  
NON EAR  
06u" GOLD

煜倫股份有限公司

www.morethanall.com

SIZE A4

PJECTION

DESCRIPTION: RJ45, PCB MOUNT, TOP ENTRY METAL SHIELD WITH & LED & TRANSFORMER GIGABIT