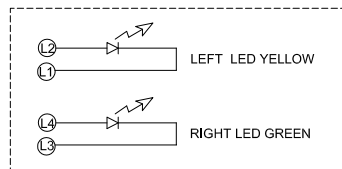
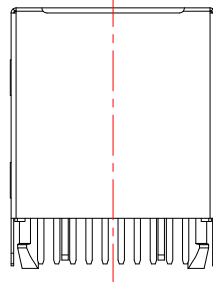
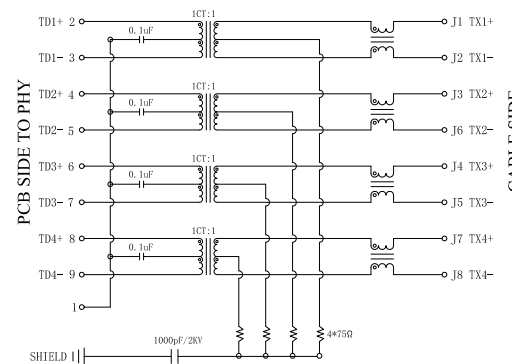


PCB LAYOUT MOUNTING PATTERN



LED Specification

Standard LED Color	LED Wavelength	Foward(A)	Foward(V)
Green	568nm	20mA	1.8-2.8V
Yellow	585nm	20mA	1.8-2.8V



SCHEMATIC

ELECTRICAL SPECIFICATIONS AT 25 °C

INSERTION LOSS db max	Return Loss dB min				Crosstalk(db TYP)			Common Mode Rejection (dB TYP)		Hipot(vrms)
	1-100MHz	1-30MHz	30- 60MHz	60- 80MHz	1-30MHz	30- 60MHz	60- 80MHz	1- 50MHz	50-150MHz	
-10	-18	-14	-12	-40	-35	-30	-30	-30	-30	1500

MATERIAL:

- 1.Housing : PBT
- 2.Contact : Phosphor Bronze , Gold Plating over Nickel
- 3.Shield : Brass , Nickel Plating

Environmental:

- 1.Operation Temperature : -40°C ~ +85°C
- 2.Storage Temperature : -40°C ~ +85°C

RoHS Compliant

TOLERANCES ARE

**MORETHANALL**  
PCB CONNECTORS  
Cable ASSEMBLIES

DRAWING BY CY  
CHECKED BY GENIUS  
UNIT / mm SCALE 1 : 1  
DATE

Up to 5 ±0.2  
Above 5 ~ 15 ±0.3  
Above 15 ~ 30 ±0.4  
Above 30 ~ 50 ±0.5  
Angle ±0.3°

照片框

ORDER INFORMATION

MJDF16T001UL-KX06B38YG-0808

SERIES

BLACK

8P8C  
LEFT / RIGHT  
YELLOW / GREEN  
REAR TAB 3.89mm  
06u" GOLD  
NON EAR

煜倫股份有限公司

www.morethanall.com

SIZE A4

PJECTION

DESCRIPTION: RJ45 TRANSFORMER 100/1000 BASE W/ LED 180 度