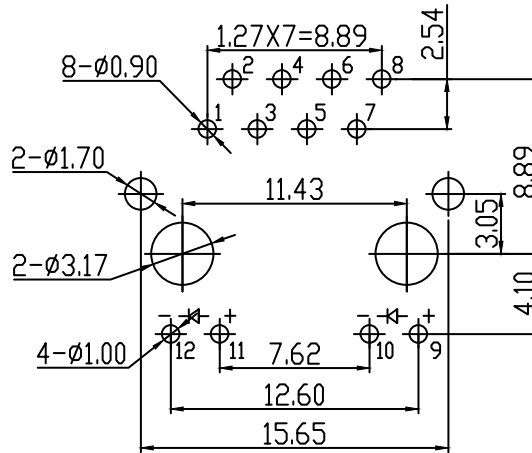
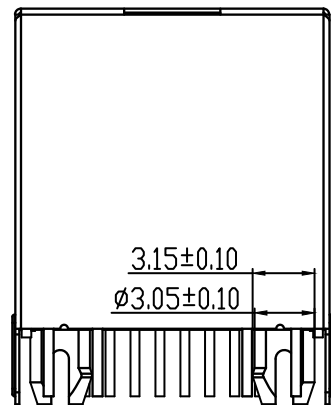
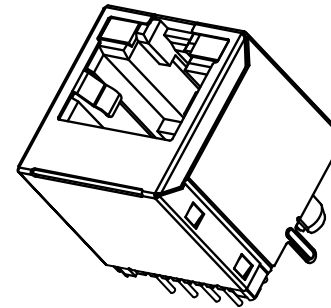
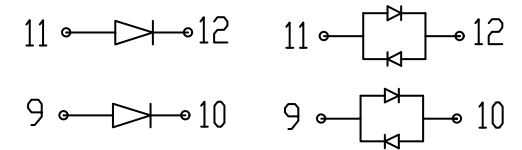


- NOTES:
- ELECTRICAL:
1. VOLTAGE RATING: 125V AC.
 2. CURRENT RATING: 1.5A.
 3. CONTACT RESISTANCE: 30 mΩ MAX.
 4. INSULATION RESISTANCE: 500 MΩ MIN @ 500V DC.
 5. DIELECTRIC STRENGTH: 1000V AC 50Hz or 60Hz, 1MIN.
- MECHANICAL:
1. INSERT MATERIAL: UL94V-0.
 2. CONTACT MATERIAL: ϕ 0.46mm C51000 (QSn4-0.3) PHOSPHOR BRONZE GOLD PLATING OVER NICKEL.
 3. SHIELD: 0.20mm THICKNESS H65Y BRASS NICKEL PLATED.
 4. MATING/UNMATING FORCE: 2.2KG.F MAX.
 5. RETENTION STRENGTH: 5.0KG.F MIN BETWEEN JACK AND PLUG.
 6. OPERATING LIFE: 750 CYCLES MIN.
- ENVIRONMENTAL:
1. STORAGE: -40°C ~ +85°C RELATIVE HUMIDITY<70%.
 2. OPERATION: -40°C ~ +85°C.



PC Board Layout



RoHS Compliant

TOLERANCES ARE

MORETHANALL
PCB CONNECTORS
Cable ASSEMBLIES

DRAWING BY CY

CHECKED BY GENIUS

UNIT / mm SCALE 1 : 1

DATE

SIZE A4

X, ±
.X ± 0.25
.XX ± 0.15
.XXX ± 0.05
ANG ±

P PROJECTION

照片框

ORDER INFORMATION

MJDF16L-KX06B3YG-0808

SERIES

8P8C

LED2 : YELLOW / LED1 : GREEN
REAR TAB 3.05mm

06u" GOLD

NON EAR

BLACK

DESCRIPTION:

煜倫股份有限公司

www.morethanall.com