

MATERIAL & FINISH

Housing & Insert: PBT. UL94V-0, black or gray
 Conductor: 0.35 mm thickness phosphor bronze,
 Gold plated over nickel on contact area,
 Tin plated over nickel on solder area.

Shield: Brass plated nickel.

Temperature : -40 to 85 °C

Durability : 750 cycles min.

ELECTRICAL

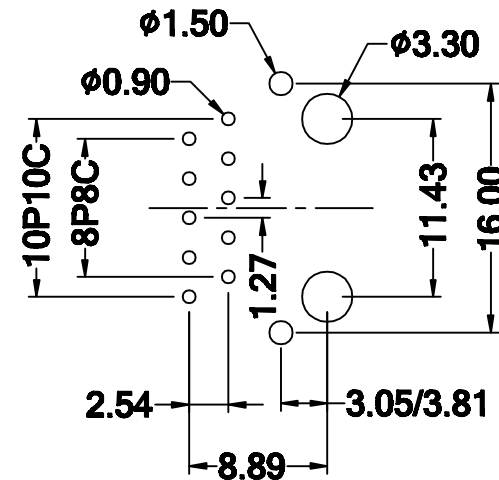
Voltage Rating : 125 V

Current Rating : 1.5 A

Contact Resistance : 30 milliohms max.

Insulation Resistance : 500 megaohms min.

Dielectric Withstanding Voltage : 1000 V



RoHS Compliant

TOLERANCES ARE

MORETHANALL
 PCB CONNECTORS
 Cable ASSEMBLIES

煜倫股份有限公司

www.morethanall.com

DRAWING BY CY

CHECKED BY GENIUS

UNIT / mm SCALE 1 : 1

DATE

SIZE A4

X. ±

.X ±

.XX ±

.XXX ±

ANG ±

PJECTION

照片框

ORDER INFORMATION

MJDF16-KE06Bx-xxxx-LF

SERIES

BLACK

EAR

06u" GOLD

LEADFREE

0808:8P8C

1010:10P10C

B3:REAR TAB 3.05mm

B38:REAR TAB 3.81mm

DESCRIPTION: