

### MATERIAL & FINISH

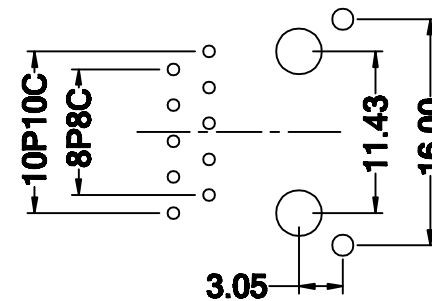
Housing & Insert: PBT. UL94V-0, black or gray  
 Conductor: 0.35 mm thickness phosphor bronze,  
 Gold plated over nickel on contact area,  
 Tin plated over nickel on solder area.

Shield: Brass plated nickel.  
 Temperature : -40 to 85 °C  
 Durability : 750 cycles min.

### ELECTRICAL

Voltage Rating : 125 V  
 Current Rating : 1.5 A  
 Contact Resistance : 30 milliohms max.  
 Insulation Resistance : 500 megohms min.  
 Dielectric Withstanding Voltage : 1000 V

### PCB LAYOUT / TOP VIEW



### PCB LAYOUT / TOP VIEW (F3.05)

RoHS Compliant

TOLERANCES ARE

**MORETHANALL**  
 PCB CONNECTORS  
 Cable ASSEMBLIES

煜倫股份有限公司

www.morethanall.com

DRAWING BY CY

CHECKED BY GENIUS

UNIT / mm SCALE 1 : 1

DATE

SIZE A4

X, ±  
 .X ±  
 .XX ±  
 .XXX ±  
 ANG ±

P PROJECTION

照片框

ORDER INFORMATION

MJDF16-KE06A3-1010-LF

SERIES LEADFREE  
 10P10C  
 A3: FRONT TAB 3.05mm  
 06u" GOLD  
 EAR  
 BLACK

DESCRIPTION: