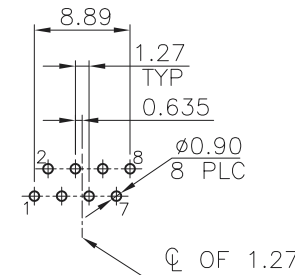
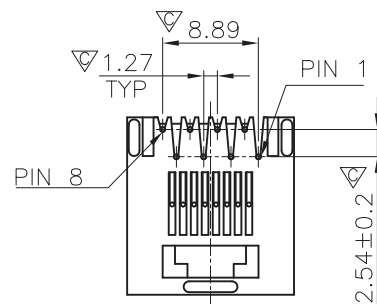
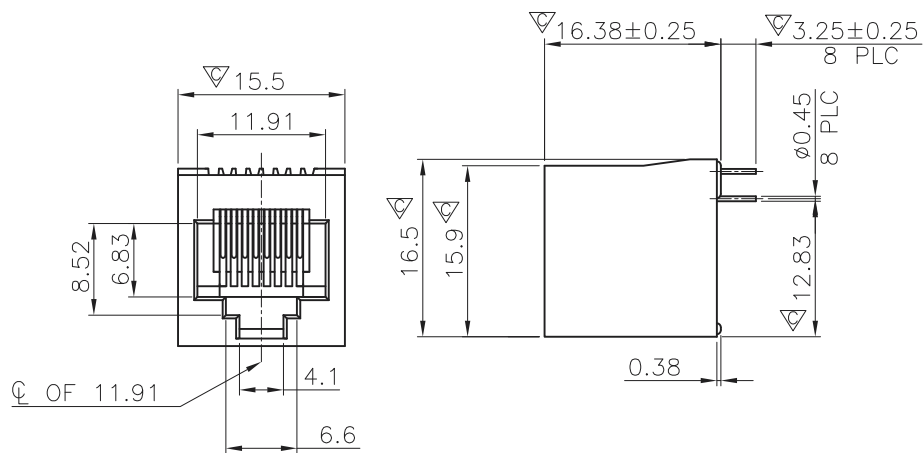


NOTE:

CAVITY CONFIRMS TO FCC RULES AND REGULATIONS PART 68, SUBPART F.

1. MATERIAL:
HOUSING: PBT OR PA46, WITH GLASS FIBER,
UL 94V-0, STANDARD COLOR-BLACK.
CONTACTS: PHOSPHOR BRONZE.
2. FINISH:
CONTACTS: GOLD PLATED ON ENTIRE CONTACT,
1.27μm [50μ"] MIN. NICKEL UNDERPLATED
ALL OVER.
3. "▽" SHOWS QIP INSPECTION POINT.



RECOMMENDED PCB LAYOUT
RECOMMENDED PCB THICKNESS: 1.6mm
TOLERANCE: ±0.05 (TOP VIEW)

MJD16-KXxxP0-0808-LF
LEADFREE

RoHS Compliant

RoHS Compliance

MORETHANALL
CONNECTORS
ASSEMBLIES

PART NO. MJD16-KXxxP0-0808	CHECKED BY CY	TOLERANCES ARE .X± .XX± .XXX± AWG	DESCRIP TION:						
							UNIT / mm	SCALE 1:1	PROJECTION
DWG NO. MJD16-KXxxP0-0808	DRAWING BY								
FILE NO.									

焯倫股份有限公司