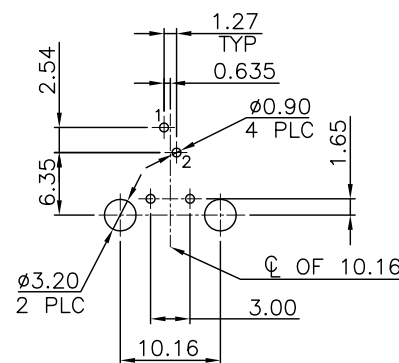
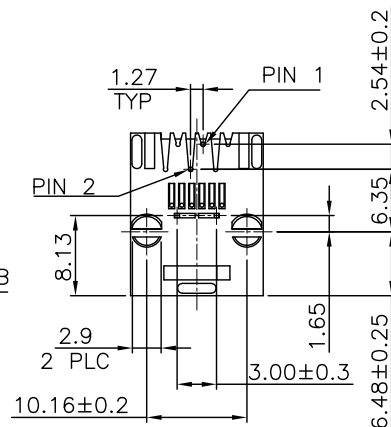
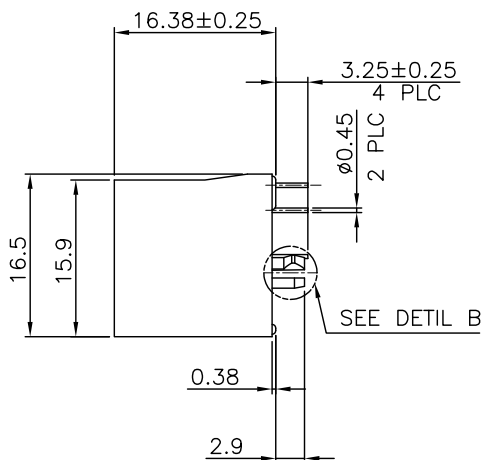
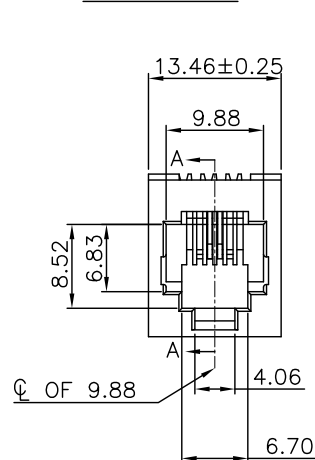
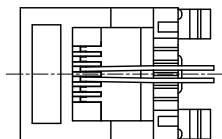


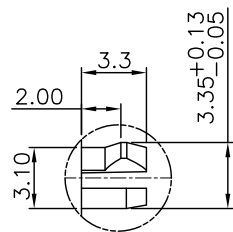
RJ45 CONTACT AND BRIDGE CONTACT MUST BE CONTACT

SECTION A-A



RECOMMENDED PCB LAYOUT

RECOMMENDED PCB THICKNESS: 1.6mm  
TOLERANCE: ±0.05 (TOP VIEW)



DETAIL B  
(SCALE 2:1)

NOTE:

CAVITY CONFIRMS TO FCC RULES AND REGULATIONS PART 68, SUBPART F.

1. MATERIAL:

HOUSING: PA46, WITH GLASS FIBER,  
UL 94V-0, STANDARD COLOR-BLACK.  
CONTACTS: PHOSPHOR BRONZE.  
SHORTIG BUSS CONTACT: PHOSPHOR BRONZE.

2. FINISH:

CONTACTS: 1.27μm [50μ"] GOLD PLATED ON ENTIRE CONTACT,  
1.27μm [50μ"] MIN. NICKEL UNDERPLATED  
ALL OVER.  
SHORTING BUSS CONTACT:  
0.152μm [6μ"] GOLD PLATED ON ENTIRE CONTACT,  
1.27μm [50μ"] MIN. NICKEL UNDERPLATED  
ALL OVER.

MJD16-KX50BP-0602-LF  
LEADFREE

RoHS Compliant



PART NO. MJD16-KX50BP-0602

DWG NO. MJD16-KX50BP-0602

FILE NO.

CHECKED BY CY

DRAWING BY

TOLERANCES ARE

X, ±  
.X ± 0.25  
.XX ± 0.13  
.XXX ± 0.05  
ANG

DESCRIPTION:

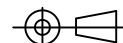
6POSITION, 180°, SPLIT PEGS,  
SHORTING BUSS, TOP ENTRY PCB JACK

焯倫股份有限公司

UNIT / mm

SCALE 1:1

PROJECTION



AREA

REVISIONS

DATE