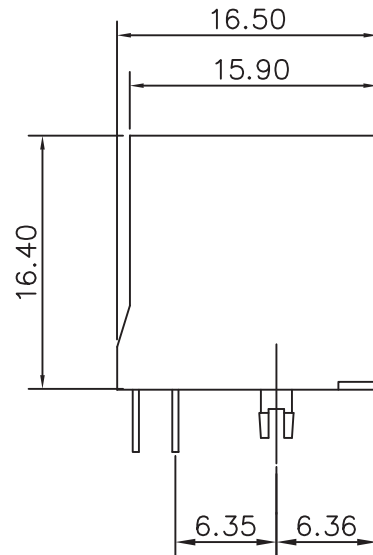
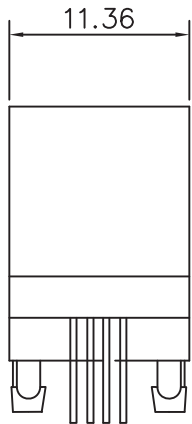


PCB LAYOUT/TOP VIEW



SPECIFICATIONS

MATERIAL:

1. Housing : PBT Polyester UL94V0
2. Color : Black
3. Contacts : 0.35mm Thickness Alloy Selective Gold Plating

ELECTRICAL:

1. Current Rating : 1.5 AMP MAX
2. Voltage Rating : 150 VAC MAX
3. Contact Resistance : 30 milliohms MAX, initial
4. Insulation Resistance : 500 Megohms MIN
5. Dielectric Withstanding Voltage : 1000 VAC, 1min

MJD16-KX30-0404-LF
LEADFREE

30:30u"/GOLD

RoHS Compliant



PART NO. MJD16-KX30-0404

DWG NO. MJD16-KX30-0404

FILE NO.

CHECKED BY CY

DRAWING BY

TOLERANCES ARE

.X ± 0.2
.XX ±
.XXX ±
AWG

DESCRIPTION:

4P Top Entry Modular Jack

煜倫股份有限公司

UNIT / mm

SCALE 1:1

PROJECTION



AREA

REVISIONS

HK

DATE