

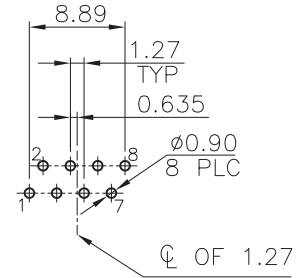
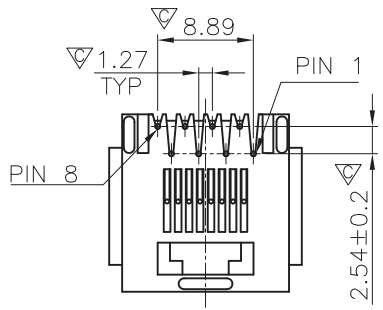
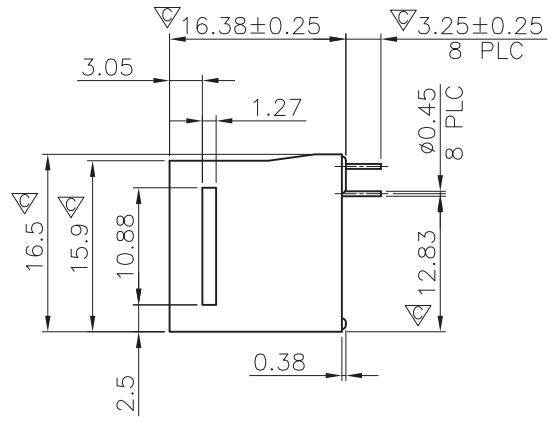
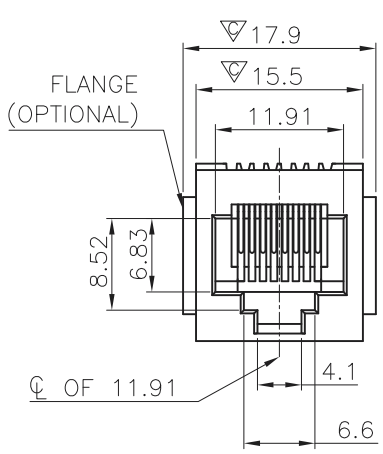
NOTE:

CAVITY CONFIRMS TO FCC RULES AND REGULATIONS PART 68, SUBPART F.

1. MATERIAL:
HOUSING: PBT OR PA46, WITH GLASS FIBER, UL 94V-0, STANDARD COLOR-BLACK.
CONTACTS: PHOSPHOR BRONZE.

2. FINISH:
CONTACTS: GOLD PLATED ON ENTIRE CONTACT, 1.27μm [50μ"] MIN. NICKEL UNDERPLATED ALL OVER.

3. "▽" SHOWS QIP INSPECTION POINT.



RECOMMENDED PCB LAYOUT

RECOMMENDED PCB THICKNESS: 1.6mm

TOLERANCE: ±0.05 (TOP VIEW)

MJD16-KExxP0-0808-LF
LEADFREE

RoHS Compliant

RoHS Compliance

MORETHANALL
CONNECTORS
ASSEMBLIES

焯倫股份有限公司

PART NO. MJD16-KExxP0-0808

DWG NO. MJD16-KExxP0-0808

FILE NO.

UNIT / mm

SCALE 1:1

CHECKED BY CY

DRAWING BY

PROJECTION

TOLERANCES ARE

.X±
.XX±
.XXX±
AWG

DESCRIPTION:

AREA

REVISIONS

HK

DATE