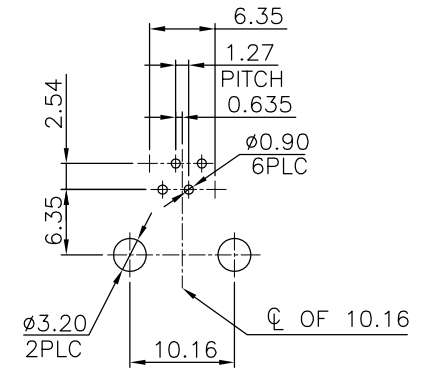
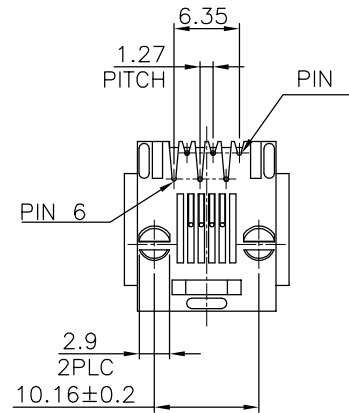


DETAIL B  
(SCALE 2:1)



RECOMMENDED PCB LAYOUT  
RECOMMENDED PCB THICKNESS: 1.6mm  
TOLERANCE: ±0.05 (TOP VIEW)

NOTE:

CAVITY CONFIRMS TO FCC RULES AND REGULATIONS PART 68, SUBPART F.

- MATERIAL:  
HOUSING: PBT OR PA46, WITH GLASS FIBER,  
UL 94V-0, STANDARD COLOR-BLACK.  
CONTACTS: PHOSPHOR BRONZE.
- FINISH:  
CONTACTS: GOLD PLATED ON ENTIRE CONTACT,  
1.27μm [50μ"] MIN. NICKEL UNDERPLATED  
ALL OVER.
- "▽" SHOWS QIP INSPECTION POINT.

RoHS Compliant

TOLERANCES ARE

**MORETHANALL**  
PCB CONNECTORS  
Cable ASSEMBLIES

DRAWING BY CY

CHECKED BY GENIUS

UNIT / mm SCALE 1:1

DATE

SIZE A4

X, ±  
.X ± 0.25  
.XX ± 0.13  
.XXX ± 0.05  
ANG ±

P PROJECTION

照片框

ORDER INFORMATION

MJD16-KE50-0604-LF

SERIES | LEADFREE  
6P4C  
50u" GOLD  
EARS  
BLACK

DESCRIPTION: 6 POSITION, 180°, SPLIT PEGS, TOP ENTRY PCB JACK

煜倫股份有限公司

www.morethanall.com