

PCB LAYOUT/TOP VIEW

**SPECIFICATIONS**

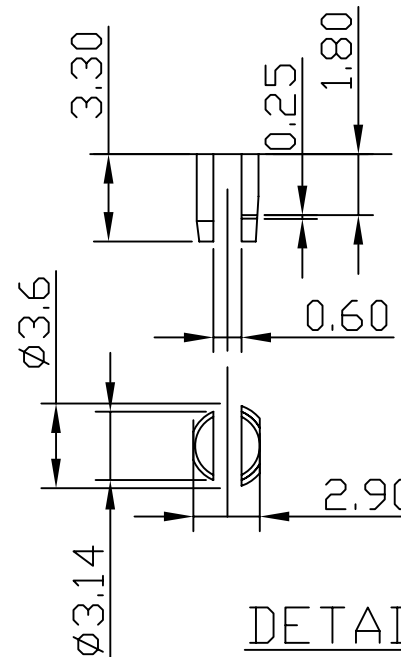
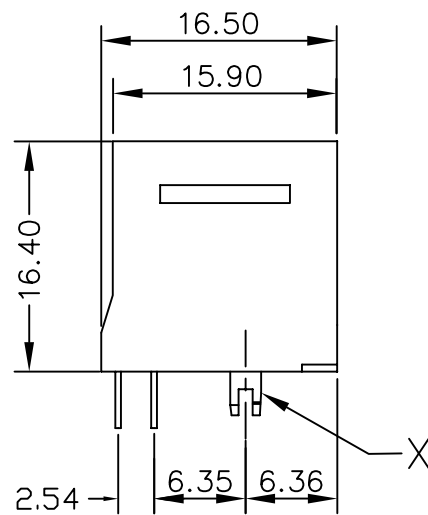
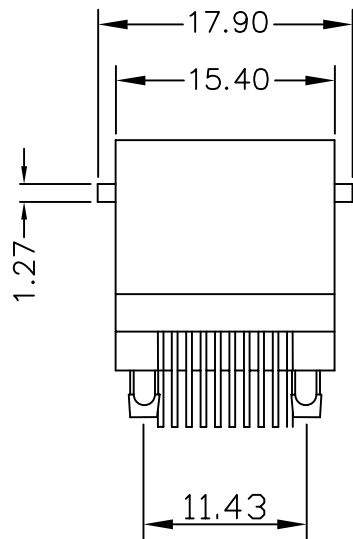
**MATERIAL:**

1. Housing : PBT Polyester UL94V0
2. Color : Black
3. Contacts : 0.35mm Thickness Alloy Selective Gold Plating

**ELECTRICAL:**

1. Current Rating : 1.5 AMP MAX
2. Voltage Rating : 150 VAC MAX
3. Contact Resistance : 20 milliohms MAX, initial
4. Insulation Resistance : 500 Megohms MIN
5. Dielectric Withstanding Voltage : 1000 VAC, 1min

UL. CUL NO.: E166003



DETAIL X



PART NO. MJD16-KE06-1010

DWG NO. MJD16-KE06-1010

CHECKED BY CY

TOLERANCES ARE

DESCRIPTION: Top Entry Modular Jack 180°

FILE NO.

DRAWING BY

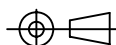
.X ± 0.3  
.XX ± 0.2  
.XXX ±  
AWG

煜倫股份有限公司

UNIT / mm

SCALE 1:1

PROJECTION



AREA

REVISIONS

HK

DATE