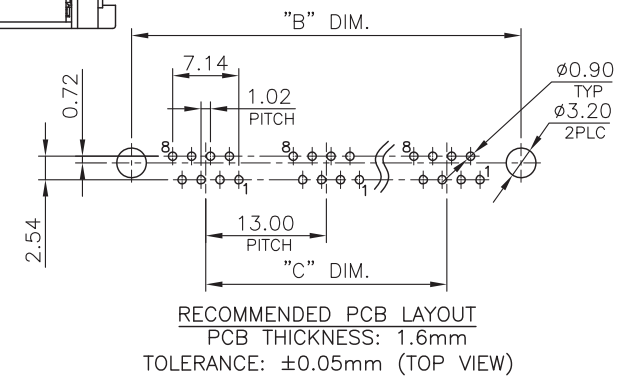


DIMENSION	NO. OF JACK			
	1	2	3	4
A	19.28	32.28	45.28	58.28
B	16.0	29.0	42.0	55.0
C		13.00	26.00	39.00

NOTE:
 CAVITY CONFIRMS TO FCC RULES AND REGULATIONS PART 68, SUBPART F.

1. MATERIAL:
 1.1 HOUSING: PBT, WITH GLASS FIBER, UL94V-0, STANDARD COLOR-BLACK.
 1.2 INSERT HOUSING: PBT, WITH GLASS FIBER, UL94V-0, STANDARD COLOR-BLACK.
 1.3 INSERT COVER: PBT, WITH GLASS FIBER, UL94V-0, STANDARD COLOR-BLACK.
 1.4 CONTACTS: PHOSPHOR BRONZE.
 1.5 METAL PEG: BRASS.

2. FINISH:
 2.1 CONTACTS: GOLD PLATED ON CONTACT AREA, GOLD FLASH ON SOLDER TAIL, 1.27μm [50μ"] MIN. NICKEL UNDERPLATED OVERALL.
 2.2 METAL PEG: 2.54μm [100μ"] MIN. TIN PLATED.



MORETHANALL
 PCB CONNECTORS
 Cable ASSEMBLIES
 焯倫股份有限公司
 www.morethanall.com

RoHS Compliant

DRAWING BY CY
 CHECKED BY GENIUS
 UNIT / mm SCALE 1:1
 DATE
 SIZE A4 PPROJECTION

TOLERANCES ARE
 X, ±
 .X ± 0.25
 .XX ± 0.13
 .XXX ± 0.05
 ANG ±

照片框

ORDER INFORMATION

MJD15Ax-KE06ZIM-0808-LF

SERIES | 8P8C | LEADFREE
 | | INSERT MOLDING
 | | CLIP
 2:2 PORTS | 06u" GOLD
 8:8 PORTS | EAR
 | BLACK

DESCRIPTION: RJ45, TOP ENTRY, PCB GANDED JACK, FROM 2PORTS THRU 4PORTS