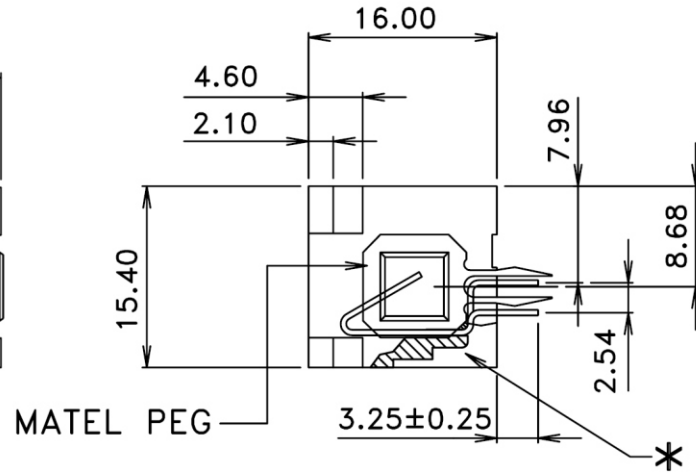
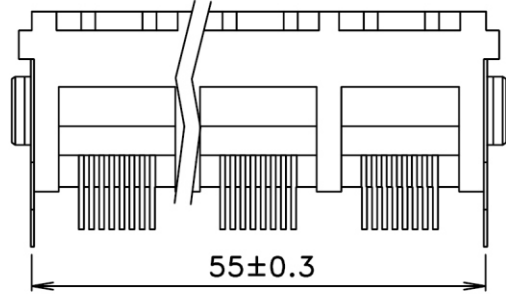
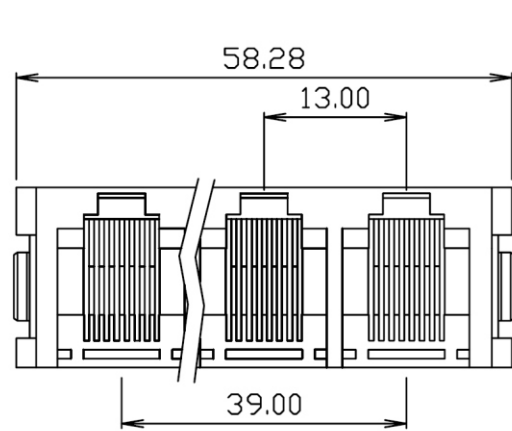
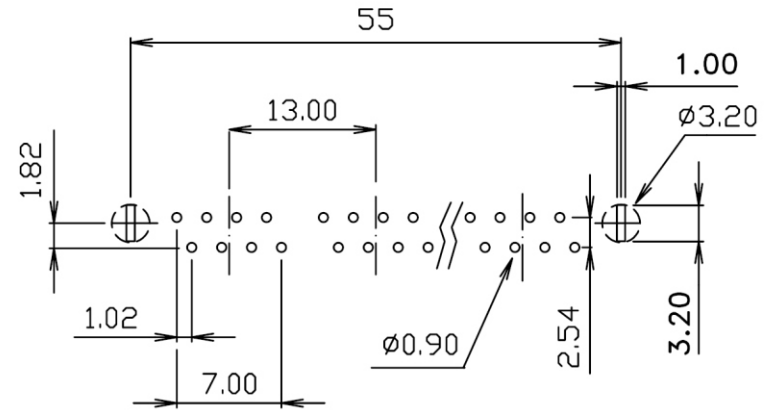


1 2 3 4 5 6 7 8 9 0

J  
I  
H  
G  
F  
E  
D  
C  
B  
A



MATERIAL: HOUSING-PBT POLYESTER UL94V-0  
 MIXED GLASS FIBER,  
 STANDARD COLOR-GARY,  
 CONTACTS-0.45mm DIAMETER PHOS-BRONZE  
 PLATED WITH HARD GOLD,  
 METAL PEG-0.50mm THICK PHOS-BRONZE  
 PLATED WITH TIN/LEAD,  
 CAVITY CONFIRMS TO FCC RULES AND REGULATIONS  
 PART 68,SUBPART F.



PC Board Layout

**RoHS Compliant**



PART NO. MJD15A3-GE06Z-0808

DWG NO. MJD15A3-GE06Z-0808

CHECKED BY CY

TOLERANCES ARE

DESCRIP TION:

FILE NO.

DRAWING BY

.X ± 0.2  
.XX ±  
.XXX ±  
AWG

AREA

REVISIONS

HK

DATE

焯倫股份有限公司

UNIT / mm

SCALE 1:1

PROJECTION

