

SPECIFICATIONS

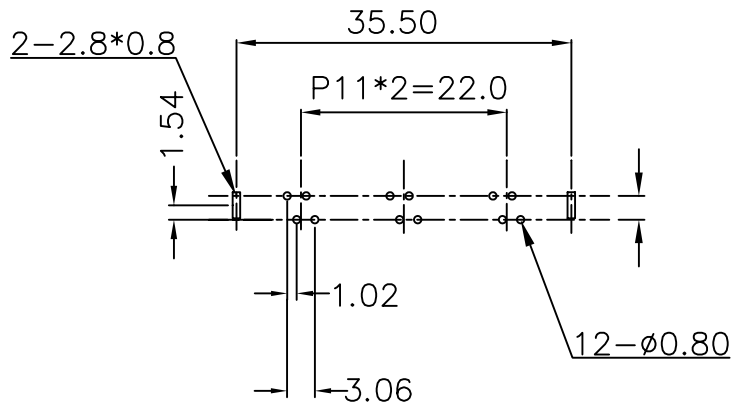
MATERIAL:

1. Housing : PBT Polyester UL94V0
2. Color : Gray
3. Contacts : 0.45mm Diameter Phos-Bronze Plated With Hard Gold

ELECTRICAL:

1. Current Rating : 1.5 AMP MAX
2. Voltage Rating : 150 VAC MAX
3. Contact Resistance : 30 milliohms MAX, initial
4. Insulation Resistance : 500 Megohms MIN
5. Dielectric Withstanding Voltage : 1000 VAC, 1min

UL. CUL NO.: E166003



PCB LAYOUT/TOP VIEW

RoHS Compliant



PART NO. MJD15A3-GE06Z-0604

DWG NO. MJD15A3-GE06Z-0604

CHECKED BY CY

TOLERANCES ARE

DESCRIPTION: Top Entry Gang Jack(Metal Pegs)

FILE NO.

DRAWING BY

.X ± 0.2
.XX ±
.XXX ±
AWG

AREA

REVISIONS

HK

DATE

煜倫股份有限公司

UNIT / mm

SCALE 1:1

PROJECTION

