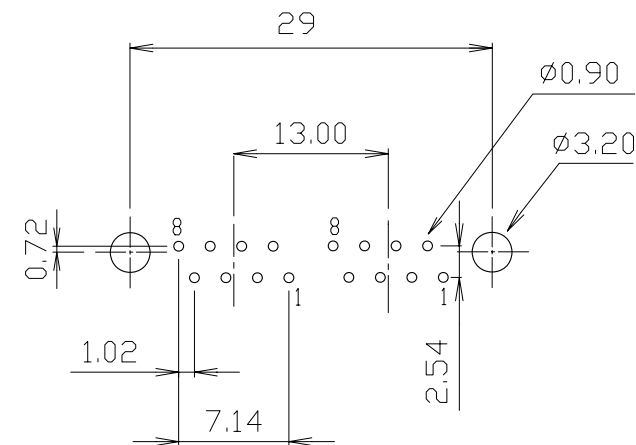


MATERIAL:

- HOUSING-PBT POLYESTER UL94V-0 MIXED GLASS FIBER. STANDARD COLOR-BLACK.
- CONTACTS-0.45mm DIAMETER PHOS-BRONZE PLATED WITH HARD GOLD.
- METAL PEG-0.50mm THICK PHOS-BRONZE PLATED WITH TIN.

CAVITY CONFIRMS TO FCC RULES AND REGULATIONS PART 68,SUBPART F.



PCB LAYOUT Ref.

RoHS Compliance



煜倫股份有限公司

| | | | | | | |
|-----------------------------|-----------|---------------|--|--|----|------|
| PART NO. MJD15A2-KE06Z-0808 | | CHECKED BY CY | TOLERANCES ARE .X ± 0.2 .XX ± .XXX ± AWG | DESCRIPTION: RJ45, TOP ENTRY PCB GANG JACK FROM 1 PORTS THRU 4 PORTS | | |
| DWG NO. MJD15A2-KE06Z-0808 | | | | | | |
| FILE NO. | | DRAWING BY | AREA | REVISIONS | HK | DATE |
| UNIT / mm | SCALE 1:1 | PROJECTION | | | | |