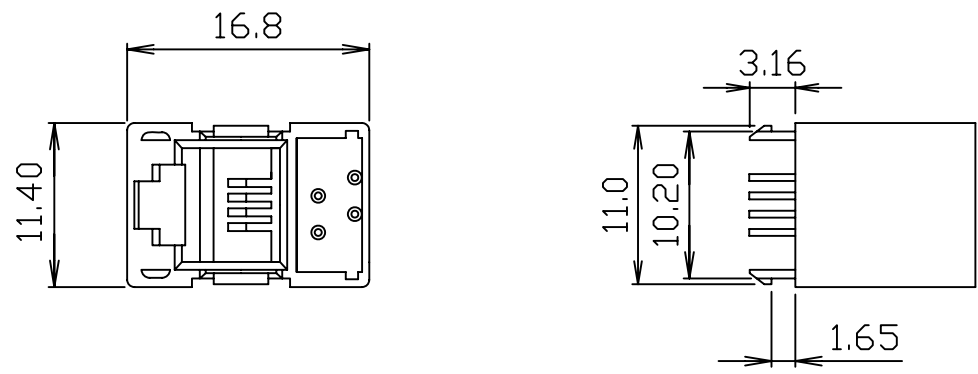
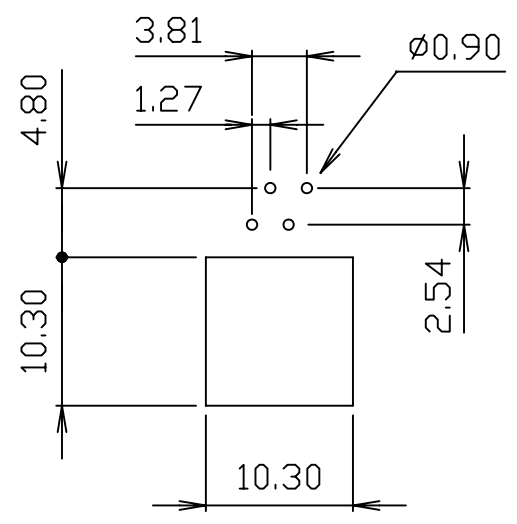
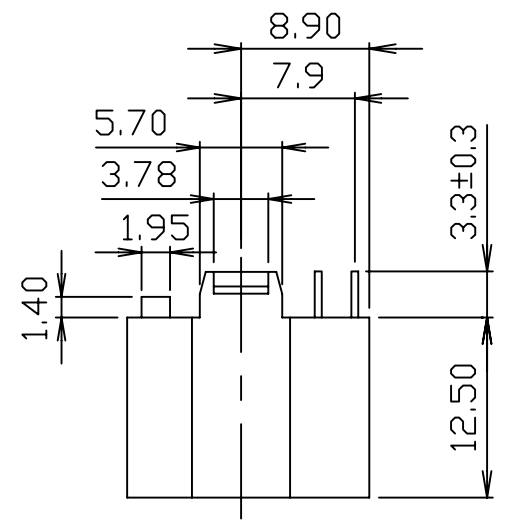


MATERIAL: HOUSING-PBT POLYESTER UL94V-0  
 MIXED GLASS FIBER,  
 STANDARD COLOR-BLACK  
 CONTACTS-0.45mm DIAMETER PHOS-BRONZE  
 PLATED WITH HARD GOLD.  
 CAVITY CONFIRMS TO FCC RULES AND REGULATIONS  
 PART 68,SUBPART F.



MJB12-KX06-0404-LF  
 LEADFREE

RoHS Compliant



PC Board Layout



PART NO. MJB12-KX06-0404

DWG NO. MJB12-KX06-0404

FILE NO.

CHECKED BY CY

DRAWING BY

TOLERANCES ARE  
 .X±0.2  
 .XX±  
 .XXX±  
 AWG

DESCRIPTION:

4POSITION BOTTOM ENTRY  
 LOW PROFILE JACK

焜倫股份有限公司

UNIT / mm

SCALE 1:1

PROJECTION

AREA

REVISIONS

HK

DATE